



Exam : 350-040

Title : Storage Networking

Ver : 10-02-07

QUESTION 1:

Which statements are true about a cascaded FICON topology? Select three.

- A. It requires Fabric binding to be configured in all the switches.
- B. Only one hop (ie:traversing 2 switches) is supported.
- C. Separate ISLs must be used dedicated to FICON traffic.
- D. Two byte link addressing as defined in FC-SB2, is mandatory.

Answer: A, B, D

QUESTION 2:

```
MDS3 _ 9509# install all system bootflash:m9500-sf1 ek9-mz.1.3.4.bin kickstart
bootflash:m9500-sfek9-kickstart-mz.1.3.4.bin
Verifying image bootflash:/m9500-sf1ek9kickstart-mz.1.3.4.bin
[#####] 100% -- SUCCESS
Verifying image bootflash:/m9500-sf1ek9kickstart-mz.1.3.4.bin
[#####] 100% -- SUCCESS
Extracting "sic" version from image bootflash:/m9500-sf1ek9kickstart-mz.1.3.4.bin
[#####] 100% -- SUCCESS
Extracting "ips" version from image bootflash:/m9500-sf1ek9kickstart-mz.1.3.4.bin
[#####] 100% -- SUCCESS
Extracting "system" version from image bootflash:/m9500-sf1ek9kickstart-mz.1.3.4.bin
[#####] 100% -- SUCCESS
Extracting "kickstart" version from image bootflash:/m9500-sf1ek9kickstart-mz.1.3.4.bin
[#####] 100% -- SUCCESS
Extracting "loader" version from image bootflash:/m9500-sf1ek9kickstart-mz.1.3.4.bin
[#####] 100% -- SUCCESS
Compatibility check is done:
Module bootable impact install-type reason
-----
2 yes non-disruptive rolling
3 yes disruptive rolling Hitless upgrade is not supported
5 yes non-disruptive reset
6 yes non-disruptive reset
Images will be upgraded according to following table:
Module Image Running-Version Net-Version Upg-Required
-----
2 slc 1.3(4b) 1.3(4) yes
2 bios v1.1.0(10/24.03) v10.8(08/07/03) no
3 slc 1.3(4b) 1.3(4) yes
3 bios v1.1.0(10/24.03) v10.8(08/07/03) no
5 system 1.3(4b) 1.3(4) yes
5 kickstart 1.3(4b) 1.3(4) yes
```

5 bios v1.1.0(10/24/03) v10.8(08/07/03) no

5 loader 1.2(2) 1.2(2) no

6 system 1.3(4b) 1.3(4) yes

6 kickstart 1.3(4b) 1.3(4) yes

6 bios v1.1.0(10/24/03) v10.8(08/07/03) no

6 loader 1.2(2) 1.2(2) no

Do you want to continue with the installation (y/n)? [n]

What is the reason the upgrade would not be hit-less for the entire switch, above?

- A. The supervisor module requires a BIOS upgrade, which is disruptive.
- B. The "rolling-upgrade" for module 2 requires a second "slc" to be hit-less.
- C. Module 3 is an IPS-8 card, which does not support non-disruptive downgrades.
- D. Nodule 3 is an IPS-8 and the switch does not have a second IPS-8 card for route diversity which could provide a "stable" upgrade.
- E. No reason - the upgrade is non-disruptive and hit-less.

Answer: C

QUESTION 3:

Which methods can be used to control Iscsi INITIATOR ACCESS TO VIRTUAL TARGETS? Select three.

- A. Zoning
- B. Specifying on which Gigabitethernet port the virtual target is advertised.
- C. Setting up Iscsi PROXY MODE FOR THE INITIATORS
- D. Specifying which IP subnet virtual target can be accessed
- E. Enabling role-based access control.

Answer: A, B, C

QUESTION 4:

In a scenario with three ISLs between two switches, a single host in VSAN 5 on switch A, and a single storage device on switch B in the same VSAN. What would be the effect on the ISLs if Flow based load balancing option was enabled in VSAN 5?

- A. Each subsequent frame will use the least utilized link, based on FCC.
- B. Each subsequent frame will use a different link.
- C. All frames between source and destination would follow same link for given flow.
- D. Flow based load balancing is not enabled for an individual VSAN.

Answer: C

Flow based load balancing : all frames between source and destination would follow same link for given flow.

QUESTION 5:

Which organization produce standards related to SCSI, Fiber Channel or Fiber Channel protocol? Select two.

- A. SNIA
- B. T11 Committee
- C. Cisco Systems
- D. T10 Committee
- E. T12 Committee

Answer: B, D

=> T11 for fiber channel, T10 for SCSI

QUESTION 6:

What is the User-specified VSAN Ids range?

- A. 1-4093
- B. 2-4093
- C. 2-4094
- D. 2-4092

Answer: B

=> user-specific VSAN 2-4093

QUESTION 7:

What can be configured on a FCIP Profile?

- A. Max and Min bandwidth, peer-info, compression ratio
- B. Passive mode, peer-info, compression ratio
- C. TCP port number, sack-enable, Max and Min bandwidth
- D. Sack-enable, TCP port number peer-info
- E. TCP port number, write accelerator compression ratio

Answer: C

=> FCIP profile for TCP port, sack-enable, Max and Min bandwidth

QUESTION 8:

A Brocade 12000 in its native corePID mode (1) is connected to VSAN 1009 on an MDS. What is the correct output of the "show vsan 1009" command?

- A. vsan 1009 information:
name: VSAN 1009 state:active

interoperability mode:default loadbalancing:src-id/dst-id/oxid
operational state:up.

B. vsan 1009 information:

name: VSAN 1009 state:active

interoperability mode:1 loadbalancing:src-id/dst-id/oxid

operational state:up.

C. vsan 1009 information:

name: VSAN 1009 state:active

interoperability mode:2 loadbalancing:src-id/dst-id/oxid

operational state:up.

D. vsan 1009 information:

name: VSAN 1009 state:active

interoperability mode:3 loadbalancing:src-id/dst-id/oxid

operational state:up.

E. vsan 1009 information:

name: VSAN 1009 state:active

interoperability mode:Brocade Native loadbalancing:src-id/dst-id/oxid

operational state:up.

Answer: D

=> interop mode 3 for Brocade 12000

QUESTION 9:

What TCP feature reduces the chances of an oversized IP packets from being fragmented?

- A. SACK
- B. Extended ping
- C. PMTU
- D. Retransmit timeout
- E. Send buffer size

Answer: C

QUESTION 10:

In Raid 0+1 the loss of a single drive:

- A. Does not affect the redundancy of the array
- B. Reduces the array redundancy to that of a Raid level 0
- C. Same level of redundancy to that of a Raid level 1+0
- D. Reduces the performance of the array
- E. Has no affect what so ever on the array

Answer: B

QUESTION 11:

Which are functions of the Domain identifier Assigned (DIA) ILS? Select two

- A. It indicates that a Principal Switch has been selected, and that the upstream neighbor Switch has been assigned a Domain identifier.
- B. It indicates that the receiving Switch can proceed requesting a Domain Identifier.
- C. It indicates that the principal switch selection and address assignment phase is completed and the fabric is operational.
- D. It indicates that the principal switch selection is started, but a principal switch has not been identified yet.
- E. It indicates that a Request Domain Identifier ILS has been received by principal switch.

Answer: A, B

QUESTION 12:

What zoning option can be used in interop mode 2 and 3?

- A. domain / port
- B. nWWN
- C. fcid
- D. lin zoning
- E. sWWN

Answer: A

QUESTION 13:

You have a legacy JBOD that uses copper DB-9 connectors. You want to connect your JBOD to a Fiber only Fiber Channel switch. You want to convert the DB-9 connection to multi mode Fiber Optics. What device would you use?

- A. HSSC
- B. MIA
- C. GBIC
- D. SFP
- E. DUAL SC

Answer: B

QUESTION 14:

FCIP Write Acceleration most effectively addresses which disaster recovery challenge?

- A. Recovery Time Objective (time to recover)
- B. Recovery Point Objective (time DR data is "behind" Production data)
- C. Tape backup over the WAN
- D. Load balancing
- E. Bandwidth constraints

Answer: C

QUESTION 15:

What port type can be used on a Fiber Channel switch when connecting a Fiber channel Hub that has one host attached to the hub and it is on a public network?

- A. Fabric Loop
- B. FLP
- C. F
- D. Loop Fabric
- E. TL

Answer: A

=> public loop: FL port

QUESTION 16:

What are the 3 types of Ordered Sets defined in Fiber Channel?

- A. Offline sequence, online sequence, and link reset
- B. Start of frame, end of frame, and idle
- C. Frame delimiters, primitive signals, and primitive sequences
- D. K28.5, D16.0, and D31.2
- E. None of the above

Answer: C

=> ordered sets: Frame delimiters, primitive signals, and primitive sequences

QUESTION 17:

Hosts and storage are connected to 2 MDS units interconnected by ISLs in the following manner:

FCID Initiator/Target MDS VSAN Zone

0x01000a initiator 1 1 A

0x01000b Target1 1 B

0x01000c initiator 2 2 A

0x02000a Target2 1 A

0x02000b initiator 2 1 B

0x02000c Target1 2 A

All default zones are set to deny and IVR is not enabled. Trunking is disabled on all of the ISLs, which reside in VSAN 1. How many pairs of source-destination flows are possible over the ISLs in this configuration?

- A. 1
- B. 2
- C. 3
- D. 4
- E. 5

Answer: B

=> domain pairs [0x0100a,0x0200c]zoneA, [0x01000b,0x02000b]zoneB

QUESTION 18:

When using Fcanalyzer to capture a flow from FCID 010300 what would be the proper command?

- A. Can not filter at FCID level on Fcanalyzer
- B. MDS#fcanalyze local display-filter
(mdshdr.vsan==1)&&((fc.d_id==01300)or(fc.s_id==01300))
- C. MDS(config)#fcanalyze local display-filter
(mdshdr.vsan==1)&&((fc.d_id==01300)or(fc.s_id==01300))
- D. MDS(config)#fcanalyze display-filter
(mdshdr.vsan==1)&&((fc.d_id==01300)or(fc.s_id==01300))
- E. MDS(config)#fcanalyze display-filter
(mdshdr.vsan==0x01)&&((fc.d_id==01300)or(fc.s_id==01300))

Answer: C

=> fcanalyzer config: MDS(config)#fcanalyze local display-filter ~~~

QUESTION 19:

Which are true about the advertisement methods for Iscsi targets implemented by the MDS 9000? Select two.

- A. By default, Iscsi TARGETS ARE ADVERTISED ON ALL gigabit Ethernet interfaces and subinterfaces.
- B. By default Iscsi TARGETS ARE NOT ADVERTISED AND THE ADMINISTRATOR CAN CHOOSE WHETHER TO ADVERTISE THEM OR NOT BY CHANGING THE SWITCH CONFIGURATION.
- C. By default, Iscsi targets are advertised only on Gigabit Ethernet interfaces but not on subinterfaces.
- D. By default, Iscsi targets are advertised on Gigabit Ethernet subinterfaces only but not on the main Gigabit Ethernet interfaces.

E. It can be limited by the administrator by configuring the Gigabit Ethernet interfaces over which static iSCSI targets are advertised.

Answer: A, E

Explanation:

=> iSCSI target advertise method:

QUESTION 20:

What standard association is working in the definition of the Iscsi and Fiber Channel protocols respectively?

- A. SNIA and IETF
- B. FCIA and IETF
- C. IETF and ANSI
- D. FCIA and SNIA
- E. SNIA and T11

Answer: C

=> IETF for iSCSI, ANSI(T11) for FCP

QUESTION 21:

There are two 2 Gbps FC links, 2Gbps ISLs port formed into a single port channel connecting two switches together. What is the initial FSPF cost and resulting FSPF cost of the port channel if ISLs failed and one of the FC links becomes inoperable?

- A. 250:500
- B. 250:250
- C. 500:250
- D. 500:500
- E. 1000:1000

Answer: B

=> two 2 Gbps FC links FSPF link cost 250, after one of them failed FSPF link cost 250

QUESTION 22:

What statement is NOT correct depending on the below output:

MDS_switch#show iscsi virtual-target configured

Target Seagate-jbod-lun

*Port WWN 21:00.00.04:cf:db:3e:a7

Configured node

No of LU mapping:1

ISCSI LUN :0x0000,FC LUN:0X0000

No of advertised interface: 1
GigabitEthernet 2/5
No of initiators permitted: 1
Initiator 10.48.69.241/32 is permitted
All initiator permit is disabled

- A. Interface iscsi 2/5 is in "no shut" status.
- B. Both the discovery and the target sessions exist for this iscsi connection.
- C. Iscsi target has been statically configured
- D. Only one initiator can connect to this target.
- E. Virtual target name is configured as "Seagate-jbod-lun: in the switch configuration.

Answer: B

QUESTION 23:

What statement is true?

- A. R_RDY is used for buffer-to buffer flow control and ACK_1 frames are used to perform end-to-end flow control.
- B. R_RDY is used for buffer-to buffer flow control and ACK_0 frames are used to perform end-to-end flow control.
- C. R_RDY is used for buffer-to buffer flow control and ACK_0 and ACK_N frames are used to perform end-to-end flow control.
- D. VC_RDY is used for buffer-to buffer flow control and ACK_0 frames are used to perform end-to-end flow control.
- E. Class F only uses buffer-to buffer flow control.

Answer: A

QUESTION 24:

To ensure FCID persistencyais persistent, what needs to be configured?

- A. Static VSAN ID
- B. Static port ID
- C. Static FC_ID
- D. Static port map
- E. Static Domain ID

Answer: E

QUESTION 25:

What parameter does not need to be compatible for a port-channel to come up between 2 switches?

- A. Trunk mode
- B. Speed
- C. Port VSAN
- D. Port allowed VSAN list
- E. Port set to (PC) or port-channel mode

Answer: E

=> compatible parameter for port-channel: Trunk mode, Speed, Port VSAN, port allowed VSAN list

QUESTION 26:

A fabric Zone Merge Failure between fabric A and fabric B will result if:

- A. The active zoneset in both fabric A and fabric B is an exact match before the merge it attempted.
- B. The active zoneset in fabric A has more zones than the active zoneset in fabric B.
- C. A zone in fabric A contains 3 members, while the same zone name in fabric B contains 4 members.
- D. Zone names used in fabric A are 10 characters, while the zone names in fabric B contain less than 10 characters.
- E. None of the above.

Answer: C

=> zone merge failure: same zone has different zone members

QUESTION 27:

While in configuration mode, what command will allow a user to view interface 4 on module 2 without leaving the current mode?

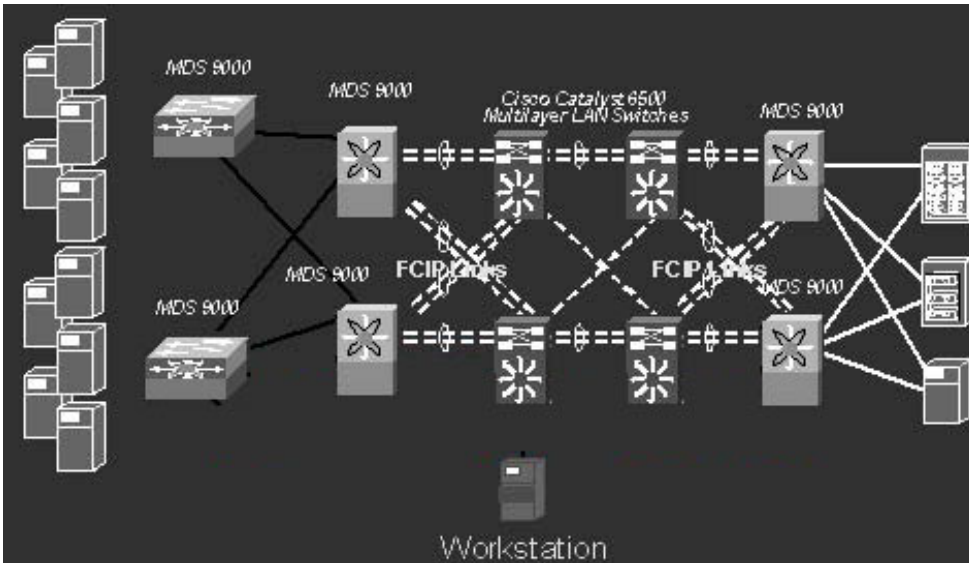
- A. "exit" then "port show 4 module 2"
- B. "do show interface <type>2/4"
- C. "session show interface <type>2/4"
- D. "show mod 2 int 4"
- E. None of the above - It is not possible to show the interface without ending configuration mode.

Answer: B

=> do show int fc1/3

QUESTION 28:

Exhibit



Assume that all the Cat6Ks in the exhibit above are connected to the MDS 9000 IPS blades and the workstation in the picture is connected to the same Cat6k network. Can the workstation act as a management station for the MDS 9000s?

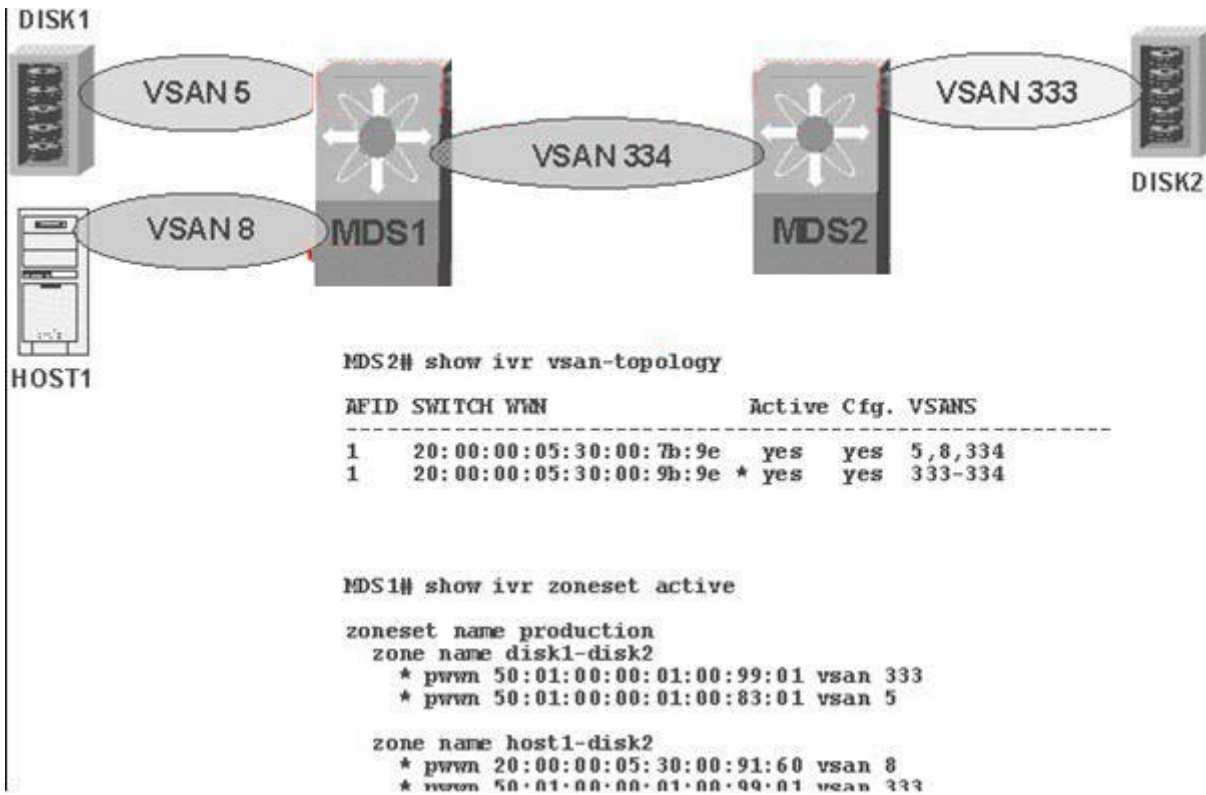
- A. Yes, because it has IP connectivity to the MDS 9000 through the FCIP endpoints configured on the MDS 9000s (through the Gigabit Ethernet interfaces on the IPS modules)
- B. Yes, but only if IPFC is configured as well on the MDS 9000 switches
- C. No, the TCP/IP traffic is terminated on the IPS blade itself, so the workstation would not be able to communicate with the MDS 9000 supervisors to be able to manage them.
- D. Yes, but only if IVR is configured on the MDS 9000
- E. Yes, if the VLAN configuration on the Cat6k matches the VSAN configuration on the MDS 9000, and the Workstation is configured as part of the management VLAN.

Answer: C

=> TCP/IP traffic is terminated on the IPS blade itself, so the workstation would not be able to communicate with the MDS9000 supervisors to be able to manage them.

QUESTION 29:

Exhibit button:



The configured domain ID for VSAN 8 was changed from 0x30 to 0x97 and fcdomain was then restarted with the command, fcdomain restart disruptive vsan 8. VSAN 8 was then changed to interop mode 1.

What statement is true?

- A. I/O between host1 - disk2 was disrupted. I/O between disk1 - disk2 was not disrupted.
- B. I/O between disk1 - disk2 and host1 - disk2 was disrupted.
- C. I/O between host1 - disk2 is down until vsan 333 is also configured for interop mode 1.
- D. I/O between host1 - disk2 is down until the ivr zoneset is reactivated.
- E. I/O between host1 - disk2 is down until the ivr vsan topology is reactivated.

Answer: A

QUESTION 30:

What is true about MDS FCIP Profiles?

- A. The Profile Ids must match the FCIP interface ID.
- B. Only one FCIP interface per profile.
- C. FCIP profile contains the assigned IP interface for which it is bound to.
- D. FCIP profile is not required if only one FCIP interface is used.
- E. FCIP Profile is assigned to a GIGE interface.

Answer: C

=> FCIP profile contains the assigned IP interface for which it is bound to

QUESTION 31:

How can ISCSI protocol health and status can be best determined?

- A. Span the ISCSI interface and use PAA to view ISCSI PDU.
- B. Use the Monitor function of the Device manager.
- C. Attach to IPS module and do <sh ips iscsi stats detail>
- D. From CLI enable prompt do <sh ips iscsi stats detail>
- E. From CLI enable prompt do <Show Iscsi STATS DETAIL>

Answer: E

=> show iscsi stats detail or device manager monitor function

QUESTION 32:

What command can be used to find the first available FICON port number to bind to a newly created port-channel on an MDS 9120 switch?

- A. Show port-channel database
- B. Show ficon next-available port-number
- C. Show ficon first-available port-number
- D. It is not possible to configure FICON on the MDS 9120 switch.
- E. Port-channel carrying FICON VSANs are not bound to a FICON port number the physical links making up the port-channel already have FICON port numbers.

Answer: C

=> show ficon first-available port-number

QUESTION 33:

What statement is true?

- A. ISL can not link a VSAN between two MDS switches.
- B. EISL frames have an additional header.
- C. ISL can not be in a Port Channel.
- D. EISL can not be in a Port Channel.
- E. ISL can only pass VSAN 1.

Answer: B

=> EISL frames have an additional header

QUESTION 34:

What statement is true with regards to VSANs and zones?

- A. Zones limit unicast, multicast, and broadcast traffic.
- B. Routing, naming and zoning protocols are not available on a per VSAN basis.
- C. Zones enforce membership only at the source and destination ports.
- D. Zones enforce membership at each E port, source port, and destination ports.
- E. None of these statements are true.

Answer: C

=> VSANs and zones: Zones enforce membership only at the source and destination ports

QUESTION 35:

What step must be performed before you can enable the FICON feature on a MDS switch?

- A. You must physically bind all FICON interfaces to FICON port numbers.
- B. You must create separate VSANs for FCP and FICON traffic.
- C. You must enable in Order Delivery for the FICON VSAN.
- D. You must set the default zone to deny for the FICON VSAN.
- E. None of the above.

Answer: C

=> enable in Order Delivery for the FICON VSAN

QUESTION 36:

Switch-to-Switch and Switch-to-Host security are implemented in an enterprise SAN for what reasons?

- A. Enables Fabric logins to communicate with an AAA server.
- B. Prevent un-authorized Fabric or Node from being connected and isolates the link.
- C. Shuts all unused interfaces and requires privileged password to perform "no shut"
- D. Enables logging of all HBA based transactions in the Fabric.
- E. Enable un-affected VSANs to continue carrying traffic in an isolated ISL.

Answer: B

=> prevent un-authorized Fabric or Node from being connected and isolates the link

QUESTION 37:

The function of "Boot Loader" during system startup is to?

- A. Uncompress loaded kickstart software.
- B. Runs power-on self test and memory test.

- C. Load last saved running configuration.
- D. Load and run system image
- E. None of the above.

Answer: A

=> bootloader : uncompress loaded kickstart software

QUESTION 38:

Select the TRUE statement regarding FCIP compression:

- A. Compression ratio achieved may vary with the data patterns being compressed.
- B. It must be enabled at both ends of an FCIP tunnel.
- C. It has 3 modes, high-throughput, high-compression, and high-bandwidth.
- D. It is performed by the MDS Active supervisor prior to transmission on the GE port.
- E. FCIP compression requires an additional license be added along with the SAN Extension.

Answer: B

QUESTION 39:

What statement is not correct for inter vsan routing?

- A. When using the IVR feature, all border switches in a given fabric must be Cisco MDS switches.
- B. Non-MDS switches may be present in the transit VSANs if the interop mode 1 option is enabled.
- C. IVR is not supported in any interop modes.
- D. Inter-VSAN control traffic that is allowed includes Switch-to Switch fcpf ROUTING INFORMATION.
- E. On Cisco MDS 9000 switches you can configure up to 200 iVZs and 2000 IVZ members.

Answer: C

inter VSAN routing supports interop mode 1,2,3

QUESTION 40:

What is TCP fast recovery?

- A. It is an algorithm that uses fast retransmit when a missing segment is detected.
- B. It is an algorithm that initiates slow start instead of congestion avoidance after fast retransmit sends what appears to be the missing segment.
- C. It is an algorithm that starts congestion avoidance instead of slow start after fast retransmit sends what appears to be the missing segment.

D. It is an algorithm that after a new connection is established with a host on another network, initializes the congestion window to one segment and each time an ACK is received, increases the congestion window by one segment.

Answer: C
=> TCP fast recovery

QUESTION 41:

Which prerequisites must be configured before enabling FICON?

- A. Fabric Binding
Persistent FCID
Static Domain ID
- B. Fabric Binding
Static Domain ID
- C. Fabric Binding
In Order Delivery
Static Domain ID
- D. Static Domain ID
In Order Delivery
- E. Persistent FCID
Static Domain ID

Answer: C
=> Prerequisites for FICON : fabric binding, in order delivery, static domain ID

QUESTION 42:

Given: Host-----MDS SwitchA-----MDS switchB-----Storage array with an FC Analyzer connected to Switch B.

What port types are required to be configured on the switches in this network for proper use of SPAN and monitor traffic flow from host to storage array?

- A. ST port on switchA and a SD port on switchB
- B. SD port on switchA and a ST port on switchB
- C. SD port on both switchA and on switchB
- D. Span port on switchA and a TE port on switchB
- E. ST port on both switchA and switchB

Answer: A
=> ST port on switch A and a SD port on switch B

QUESTION 43:

You have a MDS9509 switch with a 16 port FC module in slot 1, an 8 port IPS

module in slot 2, and a 32 port FC module in slot 3. What is the FICON port number of interface FC 3/1?

- A. 11
- B. 10
- C. 41
- D. 40
- E. 20

Answer: D

=> FICON port number of interface FC3/1: 0x40

QUESTION 44:

The acronym CUP refers to:

- A. Control Unit Port - the physical port to the switch that the storage is attached.
- B. Channel Unit Port - the physical port in the switch that connects to the mainframe.
- C. Channel Unit Port - a logical port in the switch used to enable management from the mainframe
- D. Control Unit Port - a logical port in which the switch is used to enable management from the mainframe.
- E. Control Unit Port - the port used to access the storage when multiple paths exist.

Answer: D

CUP stands for Control Unit Port. A logical port in which the switch is used to enable.

QUESTION 45:

An attaching host acquires a Fiber Channel ID in the accept from what process?

- A. FLOGI
- B. PLOGI
- C. LOGIN
- D. PRLI
- E. BA_ACC

Answer: A

=> acquires a FCID in the accept from FLOGI

QUESTION 46:

You connect 2 switches together with an ISL. Which frames would be used for negotiations between the 2 EPorts? Select two.

- A. ELP

- B. ESC
- C. PLOGI
- D. FLOGI
- E. PRLI

Answer: A, B

=> ELP for negotiation between the 2 Eport ?

QUESTION 47:

What is the general timer for missing events within a sequence?

- A. Connection Request Time -out
- B. Error Detect Time -out
- C. Resource Allocation Time -out
- D. Receiver - Transmitter Time -out
- E. Missing Events Time -out

Answer: B

=> general timer for missing events within a sequence : Error Detect Time Out Value

QUESTION 48:

What is the purpose of the open fiber control system?

- A. It defines the flow control mechanism for Fiber Channel.
- B. It defines the mechanism in which Fiber Channel switches communicate with Gbics.
- C. It defines a safety mechanism for SW laser data links.
- D. It defines the distance limitation for different types of lasers.
- E. It specifies the maximum bit error rate for Fiber channel links.

Answer: C

=> the purpose of the open fiber control system: it defines the safety mechanism for SW laser data links

QUESTION 49:

What LUN is used when a host issues a SCSI CDB Report LUNs query to a target?

- A. One query with LUN 0 only
- B. One query with LUN 1 only
- C. One query with all LUNs which are allowed to be accessed by host
- D. Single query for each LUN that is allowed to be accessed by host
- E. No LUN number field in "Report LUNs" query

Answer: E

=> SCSI CDB Report LUNs query

QUESTION 50:

What switch Fabric internal Link services (SW_ILS) command indicates if the FCIP connection is a E-Port or a B-Port?

- A. ESC
- B. EFP
- C. ELP
- D. LSU
- E. EPP

Answer: C

=> ELP for indicating B-port or E_port

QUESTION 51:

What set of Primitive signals are valid for a arbitrated loop?

- A. NOS, LOS, LR, LRR
- B. SOF, EOF, ABTS, ACK
- C. LIFA, LIPA, LIHA, LISA
- D. LIP, LR, LRR, SOF
- E. R_RDY, CL, OPN, ARB

Answer: E

=> primitive signals for valid arbitrated loop: R_RDY, CL, OPN, ARB

QUESTION 52:

Read only zones on MDS switches are implemented using:

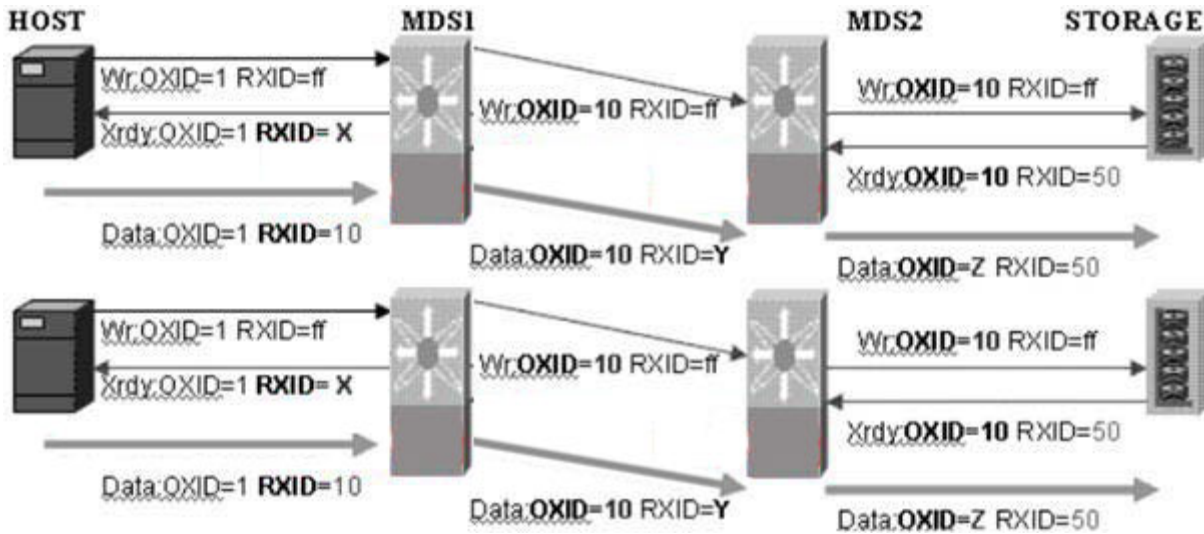
- A. SCSI I/O operation type
- B. LUN masking
- C. LUN mapping
- D. LUN binding
- E. LUN trespass

Answer: A

=> read only zones: SCSI I/O operation type

QUESTION 53:

Exhibit:



Assume that FCIP write accelerator has been enabled between MDS1 and MDS2.
What will be the X,Y,Z value respectively?

- A. X = 50, Y = 10, Z = 10
- B. X = 50, Y = ff, Z = 10
- C. X = 10, Y = ff, Z = 10
- D. X = ff, Y = ff, Z = 1
- E. X = 10, Y = 50, Z = 10

Answer: C

QUESTION 54:

During FICON CHANNEL PORT INITIALIZATION IN A CASCADED ficon ENVIRONMENT, IMMEDIATELY AFTER THE FICON channel completes its PLOGI to the Fabric Controller, it then:

- A. Begins performing PLOGIs with each Control Unit for each link address defined on this channel path.
- B. Requests SCR with the switch
- C. Requests RNID with the switch
- D. Performs a PLOGI to the Management Server
- E. Issues a QSA ELS command

Answer: E

=> read only zones: SCSI I/O operation type

QUESTION 55:

An IT department is planning to implement an FC fabric between an MDS 9120 and a MDS 9506 with 2 Supervisors and a 32-Port switching module, utilizing 2 EISLs in a port channel. The best port configuration allowing for maximum host

connectivity is:

- A. 9120, ports fc 1/1, fc 1/2 to 9506, ports fc 1/1, 1/2
- B. 9120, ports fc 1/1, fc 1/8 to 9506, ports fc 1/1, 1/5
- C. 9120, ports fc 1/2, fc 1/4 to 9506, ports fc 1/2, 1/4
- D. 9120, ports fc 1/2, fc 1/4 to 9506, ports fc 1/1, 1/2
- E. 9120, ports fc 1/2, fc 1/4 to 9506, ports fc 1/1, 1/5

Answer: E

=> 9120 ports fc1/2, 4 9506 ports fc fc1/1, 5

QUESTION 56:

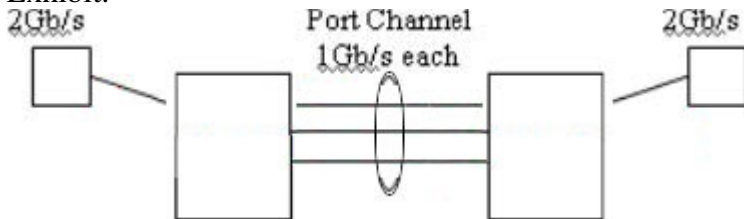
Which conditions must exist for a FICON-enabled VSAN on an MDS 9216 switch, assuming that fiber channel zones are not used to control access to FICON-attached devices? Select three.

- A. Fabric binding
- B. Default zone permit
- C. In-order delivery of frames
- D. CUP resides in a zone in the active zonest.
- E. Source_ID/Destination_ID/Exchange_ID load balancing

Answer: A, B, C

QUESTION 57:

Exhibit:



What is the maximum rate at which a host with a 2Gb/s HBA can write to a disk with a 2Gb/s fiber channel adapter if it must traverse a three port, 1Gb/s per portchannel if srcID/dstID load balancing is configured?

- A. 1Gb/s
- B. 2Gb/s
- C. 3Gb/s
- D. 3.2Gb/s
- E. 4Gb/s

Answer: B

QUESTION 58:

How is a debug and run sent to a file on an MDS?

- A. debug (what your debugging) > logfile debugout
- B. set log debug (then run debug)
- C. debug logfile debugout (then run debug)
- D. debug can only go the screen or FTP server
- E. By default they go to a logfile

Answer: A

=> debug ~ > logfile debugout

QUESTION 59:

What SCSI command does a target send to an initiator after the initiator sends the target a write command?

- A. Write Ready
- B. FLOGI
- C. RSCN
- D. Transfer Ready
- E. B2B Credit Decrement

Answer: D

=> SCSI command after the initiator sends the target a write command: Transfer Ready

QUESTION 60:

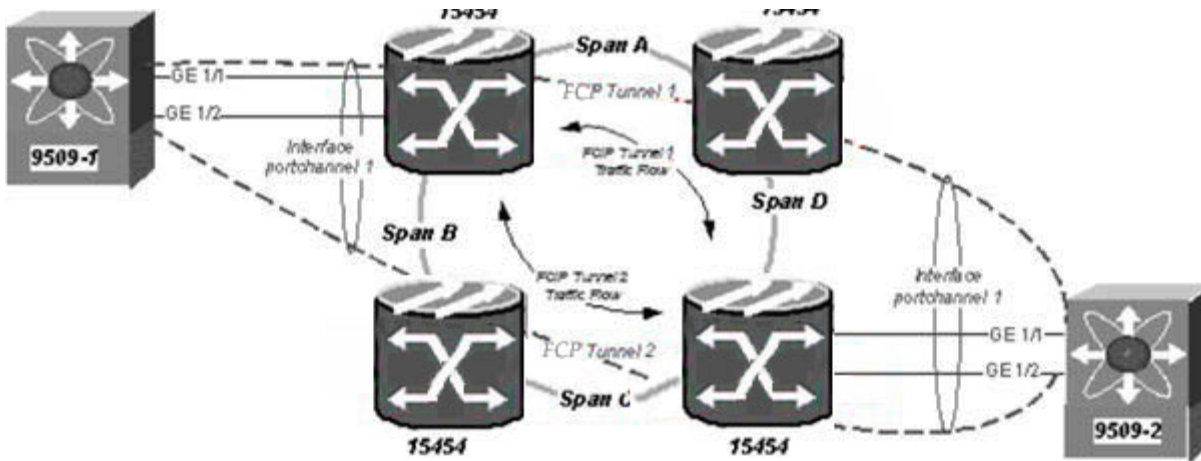
What Fiber Channel transport functions can be found within the FC-2 level?

- A. Exchange Option, Information Unit, and Sequence
- B. Session, Exchange and Information Unit
- C. Sequence, Frame and Flow Control
- D. Sequence, Frame, and Information Unit
- E. Exchange management, Link Control and Flow control

Answer: E

QUESTION 61:

Exhibit:



Each GigE interface on the MDS 9509 -1 is peering with a corresponding GigE interface on the MDS 9509-2 via a point-to-point circuit on the SONET ring. A FCIP tunnel is configured and bound to each GE interface. Furthermore, the two FCIP tunnels are configured in a portchannel. The circuits in the optical ring are configured so that the traffic over the FCIP tunnel 1 and 2 flows in opposite directions and no SONET protection is configured.

In the event of failure of span A in the ring, what would occur?

- A. After FSPF re-convergence, all traffic would flow over FCIP tunnel 2.
- B. All traffic flows over FCIP tunnel 1 would be lost.
- C. FCIP tunnel 1 would be temporarily down while the SONET ring healed, then traffic would continue to flow over FCIP Tunnel 1.
- D. The SONET ring would heal within 50ms and traffic would continue flowing as before the Span A Failure.
- E. No FSPF re-convergence occurs all traffic would flow over FCIP tunnel 2

Answer: E

QUESTION 62:

FC timers E_D_TOV, R_A_TOV and D_S_TOV:

- A. Can be set to be different for each VSAN
- B. Can be changed only for the entire switch and not VSANs
- C. Only R_A_TOV timer can be set for individual VSANS
- D. Cannot be changed
- E. Can be set only on IVR enabled switches

Answer: A

=> FC Timer E_D_TOV, R_A_TOV, D_S_TOV

QUESTION 63:

IVR Enabled MDS Switch uses which of following to identify IVR zone members?

- A. pwwn only
- B. fcid only
- C. pwwn and domain id
- D. pwwn and vsan id
- E. pwwn and fcid

Answer: D

=> identify IVR zone members: pwwn and vsan id

QUESTION 64:

What step must be done in order to use the FCIP feature on a FICON enabled VSAN?

- A. Set the MTU of the GIGE interface to a value greater than 1500.
- B. Bind a FICON port number to the FCIP interface
- C. FCIP and FICON are mutually exclusive features
- D. Make sure in Order Delivery is enabled under the FCIP profile
- E. None of the above

Answer: B

=> FCIP feature on a FICON enabled VSAN: bind a FICON port number to the FCIP interface

QUESTION 65:

What conditions will trigger a port to perform the Link initialization Protocol?
Select two.

- A. Power On
- B. LOGO ELS command received
- C. Internal Reset
- D. SHUT admin command
- E. RSCN received

Answer: B, D

QUESTION 66:

In Iscsi proxy mode, host iscsi initiators can be differentiated by: (Select two.)

- A. Static PWWN assigned by MDS
- B. Static PWWN assigned by MDS administrator
- C. IQN name of the iscsi initiator
- D. IP address of the iscsi initiator

E. E.164 address of the iscsi initiator

Answer: C, D

QUESTION 67:

Which methods can be used to control access of Fiber Channel attached targets to iscsi Hosts on a MDS switch? Select three.

- A. Zoning
- B. VSANs
- C. IP MASK
- D. User Roles
- E. Isns

Answer: A

=> access control of FC target to iSCSI hosts

QUESTION 68:

On a standalone switch, VSAN 10 has 10 active ports. When a "no vsan 10" command is issued on the switch what is true?

- A. VSAN 10 will not be deleted as it has active ports.
- B. VSAN 10 will be deleted and the ports moved to VSAN 4094.
- C. VSAN 10 will not be deleted and the ports moved to VSAN 4094
- D. Vsan 10 is deleted and the ports moved to VSAN 4093
- E. VSAN 10 will be deleted and the ports moved into VSAN 1

Answer: B

=> no VSAN 10: VSAN 10 will be deleted and the ports moved to VSAN 4094

QUESTION 69:

Given a new switch and just powering up the system. What is the default SNMP usired and password?

- A. admin/password
- B. root/cisco
- C. cisco/cisco
- D. admin/admin
- E. None of the above

Answer: A

=> default ID/PASS: admin/password

QUESTION 70:

The MDS FICON portaddress "block" subcommand:

- A. Causes the port to enter the shutdown state
- B. Causes the port to stop transmitting the OLS primitive sequence
- C. Can be applied to the CUP port
- D. Blocks data but not control traffic on the port
- E. Can be applied to a range of ports

Answer: E

=> FICON block subcommand: can be applied to a range of ports

QUESTION 71:

What is a valid file type and name created when using the Performance Manger wizard to create a collections file for a switch named MDS2?

- A. MDS2_PM.xls
- B. MDS2_PM.Doc
- C. C9216-2_06242004.xls
- D. MDS2_PM.html
- E. MDS2.xml

Answer: D

=> Performance manger result file format: ~.html

QUESTION 72:

You are connecting 2 independent and existing Fiber Channel switches. Switch one has a domain ID of 1 Switch 2 has a domain ID of 2. You connect an ISL between the 2 switches. Which SW_ILS would a Non-principal switch use to ask for a Domain ID from the Principal switch?

- A. ELP
- B. ESC
- C. EFP
- D. RDI
- E. DIA

Answer: D

=> ask for a Domain ID from the Principal switch: RDI

QUESTION 73:

Which areas are required to be configured when bringing up a FCIP tunnel? Select

three.

- A. Interface Gigabitethernet
- B. Interface FCIP
- C. Fabric binding
- D. Interface iscsi
- E. FCIP Profile
- F. Authentication (AAA or TACACS)

Answer: A, B, E

=> FCIP tunnel required configuration : interface gigabitethernet, interface fcip, fcip profile

QUESTION 74:

What statement regarding zonest distribution on a MDS switch is true?

- A. By default , the full zoneset is distributed to other switches in the VSAN/Fabric.
- B. Zoneset distribution (full or active) is configured on a per switch basis.
- C. All Cisco MDS 9000 switches distribute active zone sets when new E port links comes up or when a new zone set is activated in a VSAN.
- D. The "zone set distribute all" command distributes the full zone set along with the zone set.
- E. All of the above.

Answer: C

=> zone set distribution

QUESTION 75:

Select the description of how the trespass feature works:

- A. Trespass permits multiple hosts to access the same lun.
- B. Trespass is used to bypass traditional lun masking, and permit access to masked luns within the storage array.
- C. Trespass is used to trigger an array to make a lun available out a secondary port in the event there is a failure on the primary port.
- D. Trespass is used to permit the iscsi virtual target to reside in multiple zones at the same time.
- E. Trespass is used to suppress available luns from being seen by initiators that do not need to see them.

Answer: C

=> trespass: it's used to trigger an array to make a lun available out a secondary port in the event there is a failure on primary port

QUESTION 76:

Based on the following output from show hardware internal fc-mac port gbic-info module command what is the possible cause of an interface not coming up?

```
Module-3#  
-----GBIC info for user port 03-----  
Present No  
Module-3# sh hardware internal fc-mac port 6 gbic-info  
-----GBIC info for user port 06-----  
Present: Yes Tx fault: No Rx Loss: Yes Tx Enable: Yes  
Read State : read cc_base: passed cc_ex: passed
```

- A. The end device is a private device but the port is not configured as a TL port.
- B. There is a physical layer issue
- C. The port is connected to another switch but the port is not configured for an E_port.
- D. There should not be an issue. This is the output of an operational link.
- E. There is a speed mismatch on the link.

Answer: B

QUESTION 77:

The committee/association responsible for the production and overseeing of SCSI I/O interface standards is:

- A. IETF
- B. ANSI
- C. T11
- D. T10
- E. None of the above

Answer: D

=> SCSI I/O interface standard: T10

QUESTION 78:

The FICON configuration files maintained on the switch enable which features to be configured? Select two.

- A. Block FICON traffic from particular ports on the switch
- B. Enable and disable ports in FICON VSANS
- C. Prevent certain ports from accessing other ports
- D. Perform a port swap

Answer: A, D

=> FICON configuration files: block, prohibit, naming

QUESTION 79:

When does a FCIP interface need to be configured as B-Port?

- A. There are no practical reasons to configure the FCIP interface as a B-Port instead of an E-port.
- B. B-port does not apply to FCIP interfaces because it is a mode that needs to be configured if an interface is connected to a Brocade switch.
- C. When the other end of the FCIP link is a PA-FC-1G module on a 7200/7400 series.
- D. A FCIP link, as defined in the FC-BB (Fiber Channel Backbone) standard, is always configured as B-Port and consequently this is the default configuration on the MDS 9000 as well.
- E. B-Port is the way the FCIP interface needs to be configured if the source GigEthernet interface is connected to a Cat6k with MSFC for backward compatibility.

Answer: C

=> FCIP B_port: when the other end of the FCIP link is a PA-FC-1G module or SN5428

QUESTION 80:

Which statements are true about TCP/IP flow control mechanism? Select three.

- A. TCP uses a sliding window to control the flow of data end-to-end.
- B. The TCP Maximum Window Size (MWS) is the maximum amount of frames the sender will allow to be outstanding without acknowledgment at one time.
- C. The TCP Maximum Window Size (MWS) is the maximum amount of bytes the sender will allow to be outstanding without acknowledgment at one time.
- D. The maximum allowed window size is 1GB
- E. The maximum allowed window size is 1024 frames.

Answer: A, C, D

=> TCP/IP flow control mechanism

QUESTION 81:

LIP not capable of:

- A. Reinitialize a loop
- B. Passive attachment to loop
- C. Indicate loop receiver failure
- D. Indicate what port to reset on loop
- E. Acquire an AL_PA

Answer: B

QUESTION 82:

The function of the SFP consists in which FC protocol layer/layers?

- A. FC-1
- B. Encode/Decode Layer
- C. FC-0
- D. Framing and Control Layer
- E. FC-4

Answer: C

SFP: FC-0

QUESTION 83:

What is the best method to view the PLOGI of a FC host to a FC target on the same MDS switch?

- A. Run debug plogi on both the Host interface and the storage interface
- B. Run fcanalyzer local
- C. Span the host port and the target port to the mgmt interface and use Ethereal to analyze
- D. Use an external FC analyzer on the target port and debug tools on the host system
- E. Span the host port and the target port to a SD port and use a PAA or FC analyzer

Answer: A

QUESTION 84:

Which are possible ways to provide access control on MDS with Iscsi PROXY-INITIATOR MODE? Select two.

- A. Zoning with pwwn
- B. Specify the virtual target with an allowed IP address of the Iscsi INITIATOR
- C. Zoning with an IQN name of the iscsi initiator
- D. Zoning with an IP address of the iscsi initiator
- E. Configuring an IP access list

Answer: B, E

Explanation:

=> iSCSI proxy initiator mode: zoning with pwwn

QUESTION 85:

Which are true statements about the Receiver_Transmitter timeout value

(R_T_TOV)? Select two.

- A. It is timer, by default 100ms, used by the receiver logic to detect Loss-of Synchronization.
- B. It is a timer by default 100ms used for detecting a protocol error condition
- C. It is a timer equal to 2 XE_D_TOV that is used as the timeout value for determining when to reinstate a Recovery_Qualifier
- D. It is a value for the R_T_TOV is negotiated between the N_Port and the Fabric, during the Fabric Login as one of the Common Service Parameters exchanged.
- E. An action should be taken in less than the R_T_TOV period after the transmission of consecutive Data frames within a single Sequence.

Answer: A, D

QUESTION 86:

You have a host that you connect to a switch port on a mds switch. The switch port does not come up and a 'show interface" indicates that the port is initializing and eventually goes offline. You configure the port as a TL port and the port comes up. What type of device is the host?

- A. Public device
- B. Private device
- C. Non Fiber Channel device
- D. The host has a DB-9 copper connector
- E. The port should not come up after being configured as TL port because TL ports are used to connect to other switches.

Answer: B

=> TL port: private device

QUESTION 87:

Node is logged into port fc1/1 and fc1/1 is in VSAN 4000.If VSAN 4000 is deleted then what will happen?

- A. Invalid - VSAN 4000 is not available
- B. Node will move to VSAN 1
- C. Node will move to VSAN 4094
- D. Node will move to VSAN 4095
- E. Invalid - VSAN can not be deleted until all members are removed

Answer: C

=> VSAN deleted node will move to VSAN 4094

QUESTION 88:

The Call Home feature can provide event notification and detail information on what type of automated parsing application?

- A. GUPTA to SQL Windows
- B. XML-based parsing
- C. POPT parsing
- D. Name Parsing via E-Mail
- E. AMT parsing

Answer: B

=> Call Home: automated XML-based parsing application

QUESTION 89:

```
Ip access-list acl1 permit ip any any
Ip access-list acl1 deny tcp 10.1.1.1.0.0.0.0 eq port telnet any
Ip access-list acl1 permit tcp 10.0.0.0.0.0.255.255 eq port telnet any
Ip access-list acl1 deny icmp any 10.1.1.1.
Ip access-list acl1 permit imp 10.0.0.0.0.0.255.255.any
Ip access-list acl1 deny udp any any
Interface mgmt0
Ipaccess-group aci1
Ip address 10.1.1.1.255.255.255.0
```

Given the above IP access list configured on MDS. Which are true? Select two.

- A. MDS can not telnet to host 10.0.1.1
- B. Host 10.0.0.0 can telnet to MDS 10.1.1.1
- C. Host 10.0.0.0 can not ping with ICMP to MDS mgmt0
- D. MDS mgmt0 can not access tftp server using UDP
- E. MDS mgmt 0 can ping host 10.0.1.1

Answer: A, B

=> IP access list

QUESTION 90:

What command would be entered to restart VSAN 100?

- A. no vsan 100 start vsan 100 start
- B. no vsan 100 resume vsan 100 resume
- C. vsan 100 restart non-disruptive
- D. vsan 100 restart disruptive
- E. vsan 100 suspend no vsan 100 suspend

Answer: E

=> VSAN restart: vsan 100 suspended, no vsan 100 suspended

QUESTION 91:

Persistent binding is:

- A. binding an IP address to a NIC card and target ID number
- B. Binding WWN of an initiator to a target port and target ID
- C. Binding PWWN of an initiator to a target port Pwwn AND A TARGET id NUMBER
- D. Binding target WWPNPWWN to an initiator instance and target ID number
- E. Binding target Nwwn TO AN INITIATOR INSTANCE AND TARGET id NUMBER

Answer: B

=> persistent binding.

QUESTION 92:

What is used for in-band management of MDS switches?

- A. FCIP
- B. IP over Ethernet
- C. IPFC
- D. DNS
- E. VRRP

Answer: C

=> inband management: IPFC

QUESTION 93:

AAA(TACACS+Radius) protocols can be used to authentication and/or authorize what on MDS?

- A. Telnet and Console access
- B. SSH
- C. RBAC
- D. Dhchap for fabric security
- E. All the above

Answer: E

=> AAA can be used for Telnet, console, SSH, RBAC, DHCHAP

QUESTION 94:

Network Data Management Protocol is used primarily for:

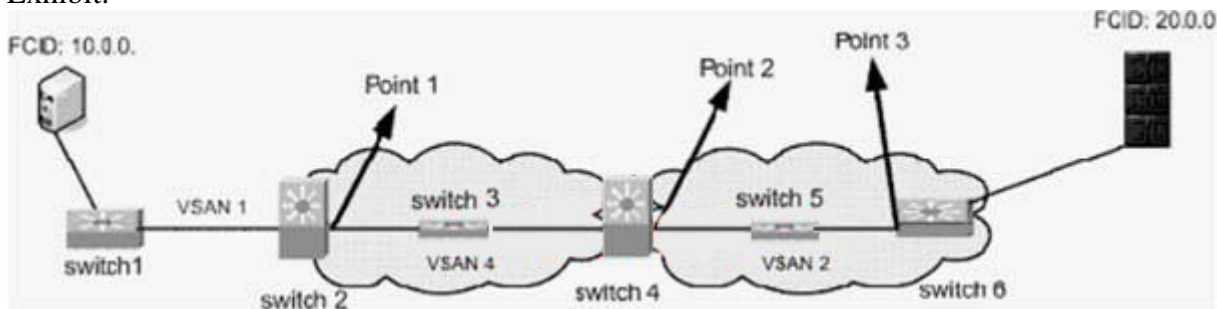
- A. Coordinating hierarchical storage management
- B. Mirroring file systems between disk subsystems over an IP network
- C. Backing up Network Attached Storage devices
- D. Synchronizing databases between multiple vendors
- E. A common protocol and API to provision storage for different subsystem vendors

Answer: C

=> NDMP for NAS backup

QUESTION 95:

Exhibit:



In the above picture, switch 3 and switch 5 are not IVR capable switches. All the ISLs are 1 GB links. Switches 2,4 and 6 are IVR-capable switches. What is the FSPF costs from Switch 1 to reach Points 1,2, and 3?

- A. 501.1502.2502
- B. 1001.30025002
- C. 501.1503.2505
- D. 1000.3000.5000
- E. 500.1500.2500

Answer: B

=> IVR with FSPF cost

QUESTION 96:

During an E-port initialization, what internal link service is used to exchange Link Parameters and the operating environment of the two interconnecting ports as well as the capabilities of the switches connected by them?

- A. EFP
- B. FLOGI
- C. PLOGI
- D. ELP
- E. SW_RSCN

Answer: A

=> EFP: Exchange Fabric Parameter

QUESTION 97:

What load balancing option should best utilize all available ISLs on port Channel?

- A. Flow Based
- B. Source FCID based
- C. Frame based
- D. Source/Destination FCID Exchange based
- E. Source and Destination FCID based

Answer: D

=> best load balancing utilization

QUESTION 98:

When using IVR traversing a FCIP link, what is not required?

- A. Transit VSAN over FCIP link
- B. Two or more VSANs in configuration
- C. IVZ active for host to access storage
- D. Border switch will be member of at least two VSANs

Answer: A

QUESTION 99:

What does MDS FC-SP functionality mode "auto-active" represent?

- A. Port will initiate FC-SP authentication after ESC.
- B. Port will actively listen, but will not initiate authentication
- C. Port will successfully complete FC-SP authentication only if remote end is in passive mode
- D. Port will initiate FC-SP authentication with TACACS server as default
- E. Port will use default of no authentication.

Answer: A

=> FC-SP auto-active: after ESC, it will initiate FC-SP authentication

QUESTION 100:

A correct network topology in Fiber Channel that describes a point to point is:

- A. A host connected to a storage array

- B. A host connected directly to a Fiber Channel hub
- C. A host connected to a host
- D. A Fiber Channel Hub connected to a Fiber Channel Switch.

Answer: A

ð point to point topology: a host connected to a storage array

QUESTION 101:

When transporting full 2148-byte Fibre Channel frames over long distances, which are true? (Choose two)

- A. One buffer-to-buffer credit is required for every 2 km of distance to support 1 Gbps
- B. Two buffer-Io-buffer credits are required for every 2 km of distance to support 1 Gbps
- C. One buffer-to-buffer credit is required for every 1 km of distance to support 2 Gbps
- D. Two buffer-Io-buffer credits are required for every 1 km of distance to support 2 Gbps
- E. Three buffer-to-buffer credits are required for every 1 km of distance to support 2 Gbps

Answer: A, C

QUESTION 102:

Which are required for a correctly configured iSCSI initiator to log in to a MDS IPS Module?

- A. iSCSI License
- B. No shut on iSCSI interface
- C. iSCSI enabled
- D. IP address on GigE interface and no shut
- E. IP address on iSCSI interface

Answer: B, C, D

QUESTION 103:

What technique is used in Fibre Channel to provide reliable clocking?

- A. B8ZS
- B. Running Disparity
- C. Encoding
- D. Ordered Sets
- E. Frame Delimiters

Answer: B

QUESTION 104:

What is the correct FCID for the CUP device, given a fabric domain ID of 20 and all other options set to default?

- A. 0x20FE00
- B. 0x20FEFE
- C. 0x200000
- D. 0x14FFFF
- E. 0x14FE00

Answer: E

QUESTION 105:

What statement is true about the zone configuration, below?

```
zone name test vsan 1
member pwnn11:11:11:11:11:11:11 lun 0002
member symbolic_nodename iqnameofiscsihost
member ip_address 10.10.10.0 255.255.255.0
```

- A. Invalid configuration due to unavailable zone options
- B. Invalid configuration due to mismatched zone options
- C. SAN extension license required after grace period
- D. Enterprise license required after grace period
- E. iSCSI license required after grace period

Answer: D

QUESTION 106:

Which are guaranteed to be unique on a given MDS switch about a VSAN?

- A. Domain ID
- B. Port membership
- C. VSAN name
- D. Allocated FCIDs
- E. Active Zoneset

Answer: B, C

QUESTION 107:

What is a valid SCSI opcode for a "Write" operation on direct access devices?

- A. 0x08

- B. 0x0A
- C. 0x25
- D. 0x00
- E. 0x12

Answer: B

QUESTION 108:

One of the primary differences between backing up to tape vs. disk is that tape is what type of access device?

- A. Differential
- B. Cumulative
- C. Random
- D. Sequential
- E. Incremental

Answer: D

QUESTION 109:

MDS Interop mode 2 will interoperate with what legacy Fibre Channel switch below?

- A. Brocade 12000
- B. Brocade 3800
- C. Inrange FC/9000
- D. McData 3900
- E. Qlogic Sanbox

Answer: B

QUESTION 110:

What control traffic is NOT prohibited from crossing Inter-VSAN boundaries?

- A. Fabric Configuration Service (FCS) traffic
- B. RSCN and SW-RSCN for devices within the affected IVR zone(s)/active zoneset
- C. Build Fabric (BF) and Reconfigure Fabric (RCF) frames
- D. Full zoneset distribution traffic
- E. ELS frames involved in Principal Switch Selection

Answer: B

QUESTION 111:

What is the best option if a customer wants load balancing of data traffic between two MDS switches across two FCIP links?

- A. Configure each FCIP profile using separate TCP ports
- B. Configure each FCIP interface for B-port
- C. Combine two Gigabit Ethernet interfaces into a single Ether-channel with one FCIP interface
- D. Combine two FCIP interfaces into a single FC Port-channel; one FCIP interface per Gigabit Ethernet
- E. Configure SJO and OJO load balancing across FCIP interface

Answer: D

QUESTION 112:

The main differences between Coarse Wavelength Division Multiplexing (CWDM) and Dense Wavelength Division Multiplexing (DWDM) are:

- A. The spacing between the wavelengths being multiplexed
- B. The number of channels
- C. The mode of fiber used for transport
- D. Cost
- E. Ability to multiplex various services onto different wavelengths

Answer: A, B, D

QUESTION 113:

You are connecting 2 existing Fabrics Fabric 1 has Domains 97,100 Fabric 2 has Domains 100 and 101 When an ISL is connected between the 2 Fabrics, the new Domain IDs for the newly merged Fabric are 97, 100, 101,102.

What SW_ILS command is generated to allow for the switches to accept a new domain ID?

- A. BF
- B. RCF
- C. ELP
- D. EFP
- E. ESC.

Answer: B

QUESTION 114:

Why might an RCF be disruptive?

- A. A change in principle switch is always disruptive
- B. Domain IDs are re-assigned possibly resulting in new FCIDs being assigned
- C. An RCF is not disruptive; a BF is disruptive and results in at least 1 change in Domain ID
- D. Fabric Zoning must be applied whenever an RCF occurs
- E. Some older style HBAs are not able to tolerate an RCF, and will logout of the fabric

Answer: B

QUESTION 115:

What selection below lists the architectural levels of the Fibre Channel protocol in order from the lowest level to highest level?

- A. Physical Interface, Data Link, Network, Common Services, Upper Layer Protocol
- B. Physical Interface, Encode/Decode and Device Control, Network, Transport, Upper Layer Protocol
- C. Physical Interface, Data Link, Network, Transport, Presentation
- D. Physical Interface, Encode/Decode and Link Control, Framing Protocol, Common Services, Protocol Mappings, Upper Layer Protocol
- E. Physical Interface, Encode/Decode and Link Control, Framing Protocol, Common Services, Protocol Mappings, Fibre Channel Protocol

Answer: D

QUESTION 116:

A storage administrator wishes to make a "ficon_new" of the current IPL file "ficon_current" in use on a FICON-enabled VSAN 20. What command must the administrator use?

- A. Copy ficon file ficon_current ficon_new
- B. Ficon copy ipl ficon_current ficon_new vsan20
- C. Copy ficon file ficon_current ficon_new vsan20
- D. Ficon vsan20 copy file ficon_current ficon_new
- E. copy running-configuration:ficon_current bootflash:ficon_new

Answer: D

QUESTION 117:

Which two features would best improve "write" performance on a single FCIP tunnel over a 10 Mbps WAN with high delay?(Choose two)

- A. Increase Buffer-to-buffer credits
- B. High-comp-ratio compression
- C. Port Channel
- D. QoS
- E. Write Acceleration

Answer: B, E

QUESTION 118:

What statement describing Port Channel functionality is FALSE?

- A. It provides a point-to-point connection over an ISL (E ports) or EISL (TE ports)
- B. It increases the aggregate bandwidth on an ISL by distributing traffic among all functional links in the channel.
- C. It load balances across multiple links and maintains optimum bandwidth utilization
- D. It provides high availability for an ISL. If one link fails, traffic previously carried on this link is switched to the remaining links
- E. Port Channels can only be configured on the 16 port Fibre Channel module

Answer: E

QUESTION 119:

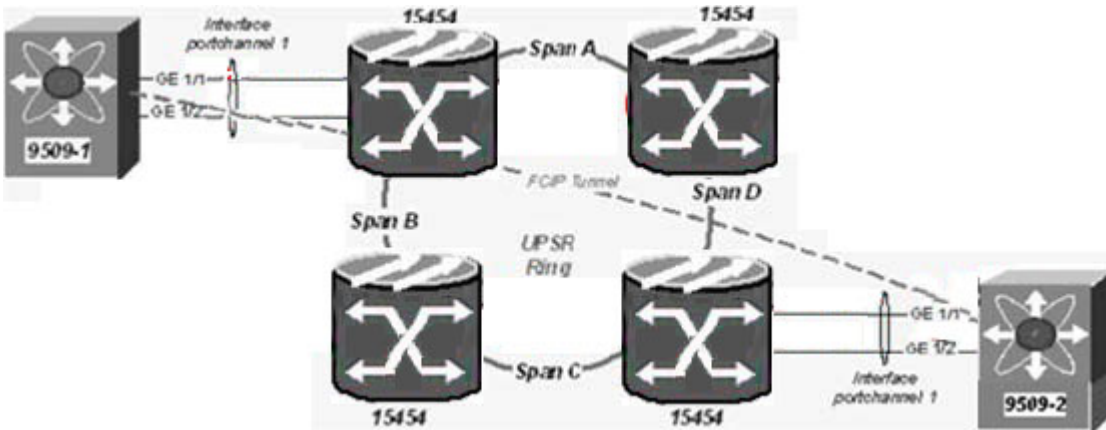
Which commands prevent a host from setting the clock in the FICON VSAN?

- A. no host control set-timestamp
- B. no host set-timestamp
- C. no host port control
- D. no host control clock
- E. no host control set-clock

Answer: B, C

QUESTION 120:

Exhibit:



Each Gigabit Ethernet interface on the MOS 9509-1 is peering with the corresponding Gigabit Ethernet interface on MOS 9509-2 via a point-to-point circuit on the SONET ring. Furthermore, the GE interfaces on each MOS are configured as a port-channel. An FCIP tunnel is configured to carry SAN traffic across this network.

If the point-to-point circuits were configured with UPSR protection on the SONET ring, a failure of anyone of the spans (span A, B, C, or D) would lead to what scenario?

- A. FSPF would have to re-converge first in order for traffic continue flowing over FCIP
- B. The SONET ring would heal within 50ms and traffic would continue flowing.
- C. The traffic would switch from one of the GE interfaces to the other
- D. The FCIP tunnel would be temporarily down while the SONET ring healed; then traffic would continue to flow
- E. Interface FCIP would need to be administratively shutdown

Answer: B

QUESTION 121:

Which steps are required to downgrade Fabric Manager Server to an earlier or previous release?

- A. In FM use the "Revert" tab under "Server Admin" to initiate downgrade to previous release
- B. Delete the "cisco_mds9000" and restore earlier version from automatically created "mds_backup" directory
- C. Fabric Manager Server cannot be downgraded to an earlier release
- D. Close all instances of FM/DM, run the "Uninstall" program, then re-install the previous release
- E. Downgrade the MDS switch to the correct version of code; when Fabric Manager is opened it will automatically downgrade to the earlier version located on the MDS

Answer: D

QUESTION 122:

FICON VSAN numbers 1, 2, 3 and 4 are configured and active on an MDS 9216 switch. VSAN 3 is configured with active equals saved.

Which are the effects of making a non-FICON configuration change to VSAN 3?
(Choose two)

- A. A copy of the updated running-configuration is sent to the CUP
- B. The switch's updated running-configuration is written to the startup-configuration
- C. The IPL file for VSAN 3 is updated
- D. The IPL files for all FICON VSANs is updated
- E. The IPL file for VSAN 3 is not updated

Answer: B, E

QUESTION 123:

On a standalone switch, all ports in VSAN 9 are administratively shut down.
What is the operational state of VSAN 9?

- A. Initializing
- B. Up
- C. Suspended
- D. Active
- E. Down

Answer: E

QUESTION 124:

When IVR is activated between VSAN A on Switch 1 and VSAN B on Switch 2 it allows:

- A. Switches A and B to communicate with each other
- B. All nodes of different zones in VSAN A of Switch 1 to communicate with each other
- C. Specific members in VSAN A and VSAN B to communicate with each other
- D. VSAN A and VSAN B zones to merge
- E. All RSCNs other than IVR-related RSCNs the ability to pass between VSAN A and VSAN B

Answer: C

QUESTION 125:

In Raid 0+1:

- A. The disks are just striped
- B. The disks are just mirrored
- C. The disks are mirrored and then striped
- D. The disks are striped and then mirrored
- E. Two arrays are striped

Answer: D

QUESTION 126:

You have a Host that needs to find all target devices that supports SCSI in the fabric. What is the D_ID of the frame to query for this information?

- A. 0xFFFFFA
- B. 0xFFFFFC
- C. 0xFFFFFD
- D. 0xFFFFF
- E. 0xFFFFFE

Answer: B

QUESTION 127:

What SW_ILS frame is used to perform Principal Switch Selection?

- A. RDI
- B. DIA
- C. ELP
- D. EFP
- E. ESC

Answer: D

QUESTION 128:

What must be eliminated to make migration of storage and a HP-UX host non-disruptive?

- A. Changes to Host name
- B. Speed changes to Host
- C. FC_ID changes to the Host port
- D. FC_ID changes to the Target port
- E. Default zone deny

Answer: D

QUESTION 129:

What feature can be used to eliminate a single point of failure of gigabit Ethernet interfaces?

- A. SACK
- B. VRRP
- C. PMTU
- D. VSAN
- E. Sub-Interface

Answer: B

QUESTION 130:

FC analyzer is recommended for use with which types of captures? (Choose three)

- A. FC frames from initiator to target
- B. FC frames from initiator to FC switch
- C. Class F frames from FC switch to FC switch
- D. Used with SPAN function to capture FC Frames
- E. Can be used to send captured frames remotely out the management 10/100 interface for ethereal

Answer: B, C, D

QUESTION 131:

Access control for multiple hosts connecting through the same iSCSI Proxy Initiator to different LUNs on the same storage port is controlled with:

- A. iSCSI virtual target configuration
- B. PWWN zoning
- C. LUN zoning
- D. LUN security or mapping on the storage array
- E. CHAP authentication

Answer: A

QUESTION 132:

The running configuration can be copied to any file name. Without specifying the destination file as "startup-config".

What statement is true with the command "copy running-config myconfig.txt"?

- A. file "myconfig.txt" will be saved on bootflash:myconfig.txt

- B. file "myconfig.txt" will be saved in /mnt/cfg/1/ascii/myconfig.txt
- C. file "myconfig.txt" will overwrite the "startup-config"
- D. file "myconfig.txt" will be save in /volatile:myconfig.txt
- E. file "myconfig.txt" will be saved in nvram as myconfig.txt

Answer: D

QUESTION 133:

With FCC enabled, after detecting congestion, an MOS switch performs what action?

- A. It increases the amount of performance buffers
- B. It sends an SW-RSCN to the switch, which has the source of the congestion
- C. It increases TCP window size on all FCIP tunnels in the path
- D. It sends an edge quench message to the switch which is the source of the congestion
- E. It sends RSCNs to the end device, which is the source of the congestion as logging into a name server will slow down the device

Answer: D

QUESTION 134:

Select the correct order of logins to initiate a host to storage SCSI connection as initiated by the host Nport :

- A. FLOGI, PRLI, PLOGI
- B. PRLI, PLOGI, FLOGI
- C. FLOGI, PLOGI, PRLI
- D. PRLI, PLOGI
- E. PLOGI, PRLI

Answer: C

QUESTION 135:

Exhibit:

```
mds# show qos service policy vsan 10
qos policy-map customer-A
  class oltp
    priority medium
```

```
mds# show qos class-map
qos class-map oltp match-all
  match source-wwn 20:02:00:75:C1:00:83:22
```

Using the switch default DWRR weights 50:30:20, traffic from host 20:02:00:75:C1

:00:83:22 will be serviced what percentage (more or less) differently from other data traffic sourced in VSAN 10?

- A. 20% more than
- B. 30% less than
- C. 50% more than
- D. 50% less than
- E. It will be serviced equally

Answer: C

QUESTION 136:

Which statements are true? (Choose two)

- A. Fabric Logins are sent to destination FCID 0xFFFFFA
- B. Name Server Logins are sent to destination FCID 0xFFFFFD
- C. FSPF HLO packets are sent from source FCID 0xFFFFFD
- D. FCID 0xFFFF A is reserved for the Management Server
- E. Fabric Logins are sent to destination FCID 0xFFFFFC

Answer: C, D

QUESTION 137:

Exhibit:

```
MDS3_9509#  
MDS3_9509# dir bootflash:  
 1106   Dec 08 15:36:14 2003 MDS20031208072937365.lic  
 1106   Dec 08 15:44:47 2003 MDS20031208074023541.lic  
 2562   Jun 13 17:25:32 2004 special_config.txt  
  558   Jun 08 20:25:17 2004 create_mds3_fcalias.script  
 12288  Dec 04 18:04:10 2003 lost+found/  
12317696 Apr 09 15:41:02 2004 m9500-sf1ek9-kickstart-mz.1.3.4.bin  
12334592 May 05 19:13:47 2004 m9500-sf1ek9-kickstart-mz.1.3.4b.bin  
43659162 Apr 09 15:42:12 2004 m9500-sf1ek9-mz.1.3.4.bin  
43687917 May 05 19:13:30 2004 m9500-sf1ek9-mz.1.3.4b.bin  
  3222  Mar 26 18:40:02 2004 script b fcip
```

```
Usage for bootflash://sup-level  
126206976 bytes used  
 58352640 bytes free  
184559616 bytes total  
MDS3_95
```

What command would successfully transfer the "special_config.txt" file to a workstation, PC, or File Server?

- A. Copy special_config.txt ftp://<ipaddress>/<path>/special_config.txt
- B. Copy boot flash:special_config.txt ftp://<ipaddress>/<path>/special_config.txt
- C. Copy <ftp://bootflash:special_config.txt> <ip address>/<path>/special_config.txt
- D. Copy <ftp://<ip> address>/<path>/<filename> special_config.txt
- E. Copy special'.txt ftp://<ipaddress>/<path>/special_config.txt

Answer: B

QUESTION 138:

A Host has just been implicitly logged off a Fabric. Which are the possible primitive sequences that the host either transmitted or received? (Choose two)

- A. NOS
- B. OLS
- C. LR
- D. LRR
- E. LIP

Answer: A, B

QUESTION 139:

The MDS "ficon swap portnumber" command: (Choose two)

- A. Supports swapping logical FICON ports
- B. Supports swapping physical ports that are part of a port channel
- C. Supports swapping a port with 10 BB_credits for an OSM port
- D. Is VSAN-specific
- E. Supports swapping non-existent/non-implemented ports

Answer: C, E

QUESTION 140:

What is the typical time for a SONET ring to fail over to the protect ring?

- A. 10 microseconds
- B. 50 microseconds
- C. 10 milliseconds
- D. 50 milliseconds
- E. 1 second

Answer: D

QUESTION 141:

Which are configurable VSAN attributes? (Choose two)

- A. VSAN name
- B. Operational state
- C. EISL trunking
- D. Host membership
- E. Load-balancing scheme

Answer: A, E

QUESTION 142:

RAID is: (Choose two)

- A. Random Array of Idle Drives
- B. Redundant Array of Independent Drives
- C. Redundant Array of In-expensive Drives
- D. Readily Available Independent Drives

Answer: B, C

QUESTION 143:

In the Cisco MDS, CHAP authentication is used on which iSCSI sessions?

- A. Discovery session only, per the iSCSI RFC
- B. Target sessions only, per the iSCSI RFC
- C. Neither, iSCSI uses PAP not CHAP for authentication
- D. Discovery and each Target session
- E. Monitoring session only, Per the iSCSI RFC

Answer: D

QUESTION 144:

What statement is NOT correct based on the display output below?

```
MDS_switch# show ivr vsan-topology active
AFID SWITCH WWN Active Cfg VSANS
```

```
-----
1 20:00:00:05:30:00:7a:de* yes 202,205
1 20:00:00:0c:30:6c:24:40 yes 205,298
Total: 2 entries in active IVR VSAN-Topology
Current Status Inter-VSAN topology is ACTIVE
Last activation time: Sat Feb 21 00:03:42:2004
```

- A. VSAN 205 is the transit VSAN
- B. The wwn of MDS_switch is 20:00:00:05:30:00:7a:de
- C. The wwn of MDS_switch is 20:00:00:0c:30:6c:24:40
- D. IVR topology is activated on Sat Feb 21 00:03:42 2004
- E. VSAN 298 and 202 are edge VSANs

Answer: C

QUESTION 145:

Initiator 10 111 establishes an iSCSI discovery session through portal 10. 1.1.2 and only finds fibre channel targets on VSAN 1.

What is the most likely cause for no targets discovered in VSAN 5?

- A. Dynamic import of targets only applies to VSAN 1
- B. There are no targets logged into VSAN 5
- C. Interface iSCSI1/8 is not a member of VSAN 5
- D. Initiator 10.1.1.1 has not been configured with a port WWN
- E. There is no active zoneset on VSAN 5

Answer: B

QUESTION 146:

Exhibit:

```
vsan database
vsan 5 interface fc3/1
vsan 5 interface fc3/2
vsan 6 interface fc3/4
vsan 6 interface fc3/7

iscsi: import target fc

iscsi: initiator ip-address 10.1.1.1
vsan 1
vsan 5

interface iscsi1/8
swtchport proxy-initiator nWWN 25:79:00:05:30:00:9b:a1 pWWN 25:79:00:05:30:00:9b:a0

interface GigabitEthernet1/8
ip address 10.1.1.99 255.255.255.0
iscsi authentication chap-none
no shutdown
vrrp 2
address 10.1.1.2
no shutdown

zone default-zone permit vsan 1
zone default-zone permit vsan 5
```

```
MDS# show zone status vsan 5
VSAN: 1 default-zone: permit distribute: active only Interop: 100
Full Zoning Database :
  Zonesets:0 Zones:0 Aliases: 0
Active Zoning Database :
  Database Not Available
Status:
MDS#
```

When an existing Domain ID of a VSAN is changed from preferred to static, to ensure FCID persistency across reboots:

- A. VSAN needs to be disruptively restarted
- B. Switch needs to be restarted
- C. Line cards alone needs to be restarted
- D. VSAN needs to be restarted non-disruptively
- E. Domain ID mode cannot be changed for VSNS on MDS switch

Answer: D

QUESTION 147:

An FCIP profile can be shared by how many FCIP interfaces?

- A. 0
- B. 1
- C. 2
- D. 3
- E. 4

Answer: D

QUESTION 148:

What is the effect of a packet/frame loss on SAN Extension transport such as FCIP, DWDM and CWDM?

- A. A packet loss on a FCIP link does not cause the application to abort and restart the SCSI sequence, while a frame loss on DWDM and CWDM does
- B. A packet loss on a FCIP, DWDM and CWDM link does cause the application to abort and restart the SCSI sequence
- C. Only for CWDM a frame loss will cause the application to abort and restart the SCSI sequence
- D. A frame loss on SAN Extension connections will never directly affect the application because it is handled directly by the switches terminating the FCIP, DWDM or CDWM links
- E. A frame drop on SAN Extension connections will always affect the application (that will abort and restart the SCSI sequence)

Answer: A

QUESTION 149:

On the 9120 an additional ISL is required and ports 1-4 and 6 are already occupied. What additional port can be used?

- A. 5
- B. 7
- C. 8
- D. 9
- E. None- the 9120 can only use ports 1-4 for ISLs

Answer: D

QUESTION 150:

If the MDS iSCSI interface is configured for proxy initiator mode, and 4 ISCSI-attached hosts attach and can see access storage via that interface, how many host port logins will the storage array receive?

- A. 4, one port login for each host
- B. 2, a read and a write port login
- C. 1, port login from the proxy initiator
- D. 0, no logins, proxy initiator does not use port logins
- E. 8, one read and one write port login for each host

Answer: C

QUESTION 151:

The committee/association responsible for the production and overseeing of Fibre Channel standards is:

- A. IFTF
- B. ANSI
- C. T11
- D. T10
- E. None of the above

Answer: C

QUESTION 152:

Configuring IVR on an MDS is required to allow a device to:

- A. Communicate with two or more devices
- B. Communicate over an FCIP tunnel which crosses a non COP enabled router
- C. Exist in a transit VSAN
- D. Communicate with a device on a non-MOS Switch
- E. Communicate with devices in another VSAN

Answer: E

QUESTION 153:

What do ARB, R_RDY and IDLE have in common?

- A. They are Primitive Signals as defined in FC-SW & FC-GS
- B. They are Primitive Sequences found on a Loop
- C. They are Primitive Signals as defined in FC-PH & FC-AL
- D. They are used to determine signal loss on a Fibre Channel Physical Connection
- E. They are Primitive Sequences as defined in FC-PO & FC-AL

Answer: C

QUESTION 154:

The default VSAN policy for any role is permit. Changing this policy to "vsan policy deny" and then entering "no vsan policy" will have what effect on the role being configured?

- A. No effect on the role, every vsan can execute commands allowed by the "rule" command
- B. The role will be disabled due to conflicting configuration statements

- C. The role will require a "vsan permit" configured to define allowed VSANs
- D. No effect, the "vsan permit deny" is an invalid command option
- E. No effect, both commands are invalid

Answer: A

QUESTION 155:

What settings would be required on a MDS9000 switch for proper use of a PAA?

- A. PAA requires a TE port to connect and must be in its own VSAN
- B. PAA requires an SD port and must be in its own VSAN
- C. PAA requires an ethernet connection to the MDS supervisor
- D. PAA requires an SD port connection
- E. PAA requires ST and an SD port

Answer: D

QUESTION 156:

Which are effects of a Build Fabric (BF) ILS? (Choose two)

- A. The BF causes a disruptive reconfiguration of the fabric
- B. The BF causes a non-disruptive reconfiguration of the fabric
- C. The BF causes a new principal switch selection to happen
- D. The BF causes the change of all the addresses assigned in the fabric while holding data traffic, to avoid traffic loss
- E. The BF helps to resolve overlapping domain identifiers

Answer: B, C

QUESTION 157:

Exhibit A:

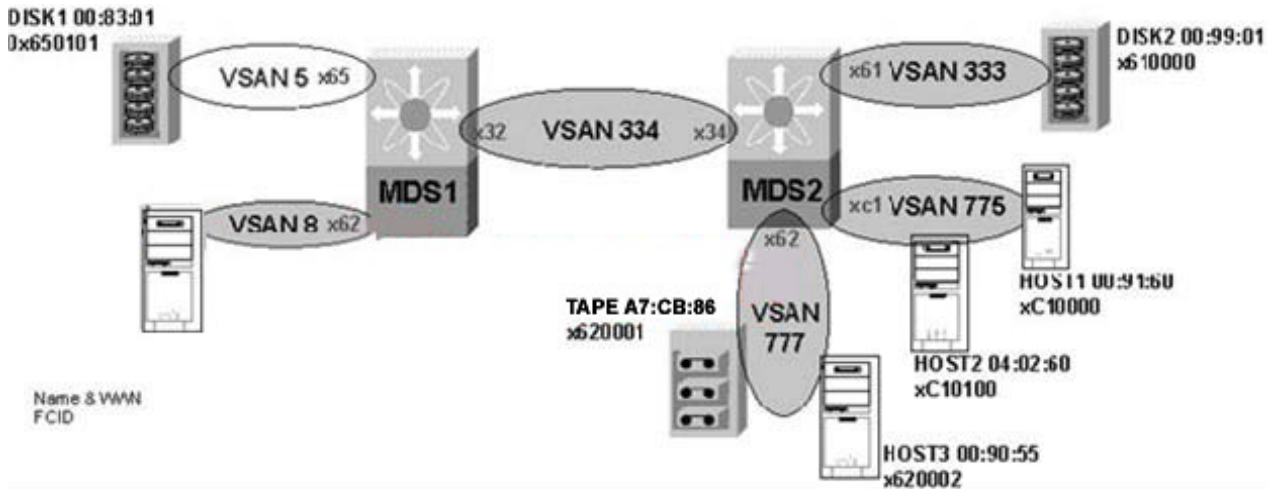


Exhibit B:

```
MDS2# show vsan
vsan 1 information
  name:VSAN0001 state:active
  interoperability mode:default
  loadbalancing:src-id/dst-id/oxid
  operational state:up

vsan 333 information
  name:VSAN0333 state:active
  interoperability mode:default
  loadbalancing:src-id/dst-id/oxid
  operational state:up

vsan 334 information
  name:VSAN0334 state:active
  interoperability mode:default
  loadbalancing:src-id/dst-id/oxid
  operational state:up

vsan 775 information
  name:VSAN0775 state:active
  interoperability mode:default
  loadbalancing:src-id/dst-id/oxid
  operational state:up

vsan 777 information
  name:VSAN0777 state:active
  interoperability mode:2
  loadbalancing:src-id/dst-id/oxid
  operational state:up

vsan 4094:isolated_vsan
MDS2#
```

```
MDS2# show ivr vsan-topology
```

AFID	SWITCH	WWN	Active	Cfg.	VSANS
1	20:00:00:05:30:00:7b:9e	yes	yes	5,334	
1	20:00:00:05:30:00:9b:9e	* yes	yes	333-334,775,777	

```
MDS2# show ivr zoneset active
```

```
zoneset name production
zone name disk1-disk2
  * pwrn 50:01:00:00:01:00:99:01 vsan 333
  * pwrn 50:01:00:00:01:00:83:01 vsan 5

zone name tape
  pwrn 20:00:00:05:30:00:91:60 vsan 775
  pwrn 21:00:00:02:01:a7:cb:86 vsan 777
```

The administrator has noticed that there is no FSPF route in vsan 775 to reach domain Ox62 in vsan 777. What is the likely cause?

- A. VSAN 777 is running in interop mode 2
- B. VSAN 8 is also using domain id 0x62.
- C. Both Host1 and tape device are logged out of the fabric.
- D. The IVR VSAN topology has different VSAN configured for each MDS
- E. The IVR border switch will never propagate FSPF routes between IVR VSANS.

Answer: C

QUESTION 158:

A customer has existing production fabric with Brocade and McData FC switches intermixed. When adding an MOS 9000 switch, what MDS interop mode would be

required?

(Topology: McData6400 - (ISL) - Brocade12000 - (ISL) -- MDS)

- A. Open Fabric Mode
- B. Native
- C. Interop1
- D. Interop2
- E. Interop3

Answer: C

QUESTION 159:

Which are true statements about Cisco's MDS implementation of FICON CUP?

(Choose two)

- A. CUP may block/unblock ports
- B. CUP may modify the VSAN a port resides in.
- C. CUP must be defined as a control unit in the HCD and IOCP with a CUP port address of FC
- D. CUP may prohibit/permit ports
- E. CUP must be assigned a virtual FICON port number

Answer: A, D

QUESTION 160:

Which advanced features of the MDS FCIP configuration will engage the traffic shapping abilities for the TCP connection? (Choose two)

- A. Compression
- B. Write acceleration
- C. QOS for data and control
- D. Use of Maximum bandwidth settings
- E. Send Buffer Size setting

Answer: A, D

QUESTION 161:

What term is used to identified the special characters used in Fiber Channel Encoding?

- A. Kxx.y
- B. 8b/10b
- C. 3b/4b

- D. Dxx.y
- E. idle

Answer: A

QUESTION 162:

```
role name guest
description Guest User Role
rule 1 deny config
rule 2 deny exec
rule 3 permit config feature zone
rule 4 permit config feature zoneset
rule 5 permit show
rule 6 permit exec feature fcping
rule 7 permit exec feature fctrace
rule 8 permit exec feature ips
rule 9 permit exec feature discover
rule 10 permit config feature ivr
rule 11 permit config feature ficon
rule 12 permit config feature fcip
rule 13 permit config feature in-order-guarantee
rule 14 permit config feature interface
rule 15 permit exec feature ping
rule 16 permit config feature vsan
vsan policy deny
permit vsan 10-19
```

What CLI command function will be permitted by the role name "guest"?

- A. creation of vsan 12
- B. copy running-config to startup-config
- C. enable T ACACS+
- D. creation of port-channels
- E. change interface mode from auto to F

Answer: E

QUESTION 163:

An MDS 9509 director has a 16-port Fibre Channel module in slot 1 and a 32-port Fibre Channel module in slot 2. The director is assigned Domain ID 32 in FICON VSAN 27. Assume VSAN 27 is using the default value for the "fcid-last-byte" configuration command. If port 2/1 is a member of VSAN 27, what FCID is assigned to it?

- A. 0x201B00

- B. Ox200201
- C. Ox201100
- D. Ox202000
- E. Cannot be determined

Answer: D

QUESTION 164:

A physical fabric with some but not all MDS switches participating in IVR, what switch should have IVR enabled?

- A. All the switches
- B. All of the switches in edge VSANs and transit VSANs
- C. All of the edge switches, border switches and all switches in transit VSANs
- D. Only edge switches and border switches
- E. Only border switches

Answer: E

QUESTION 165:

Which features are required for an operational FICON VSAN? (Choose two)

- A. Fabric-binding
- B. Last byte of FCID 0x00
- C. Persistent FCID
- D. In-order delivery
- E. Source-Destination-Exchange load balancing

Answer: A, D

QUESTION 166:

Which are intended for TCP slow start algorithm? (Choose two)

- A. Slow start, immediately after the TCP connection has been initiated or after a long period of idle, makes sure that new packets are sent at the same rate at which acknowledges are returned.
- B. Slow start slows down the transmission rate of the sender, when congestion in the network is detected
- C. It causes a linear growth of the transmitter window size every time an ACK is received
- D. It causes an exponential growth of the transmitter window size every time an ACK is received
- E. It causes a linear drop of the transmitter window size every time an ACK is lost

Answer: A, D

QUESTION 167:

On the Cisco Port Analyzer Adapter (PAA), what truncation mode needs to be set if an SD port is configured for 2Gb/s and the PAA's Ethernet port is configured for 1Gb to guarantee zero frame loss by the PAA?

- A. MNM
- B. NTM
- C. ETM
- D. STM
- E. DTM

Answer: E

QUESTION 168:

There are three different roles on MDS: Role1 allows show commands only. Role2 allows debug and configure commands, and denies show command Role 3 permits VSAN 10-30 only. User1 belongs to Role1, Role2 and Role3. What can User1 do?

- A. Show, debug, configure on all VSAN
- B. Debug and configure commands only on all VSAN
- C. Debug and configuration commands on VSAN 10-30
- D. Show, debug, and configure on VSAN 10-30
- E. Show, debug, configure and save configuration on VSAN 10-30

Answer: A

QUESTION 169:

A2-byte link address defined for a mainframe definitively indicates a:

- A. Cascaded FICON environment
- B. Non-cascaded FICON environment
- C. QSA frame will be sent during N-port login
- D. CUP device is in use
- E. Control Unit Image

Answer: C

QUESTION 170:

If all FC targets are required to be seen by iSCSI initiators, what is the easiest way

to accomplish this?

- A. When iSCSI is enabled all FC targets are imported by default
- B. Enable dynamic import of FC target into iSCSI
- C. Virtualization software must be enabled on hosts
- D. Statically create Virtual targets on storage arrays primary path only
- E. Enable storage array iSCSI target export ability

Answer: B

QUESTION 171:

Fibre Channel QOS allows traffic to be prioritized in the fabric based upon:

- A. Source FCID, destination FCID, and destination LUN #
- B. Source WWN, destination WWN, and destination LUN #
- C. FCID, PWWN, and output interface
- D. Source 10, Destination ID, and 0xID
- E. FCID, PWWN, and input interface

Answer: E

QUESTION 172:

What is true regarding access control to iscsi virtual targets on the MDS?

- A. You may not limit access to the target by IP subnet of the initiator
- B. You may limit access to the target by initiator ION name
- C. Fe zoning is the only way to limit access to the target
- D. By default, the target is not advertised on Gigabit Ethernet interfaces

Answer: B

QUESTION 173:

The MDS FICON portaddress "prohibit" Subcommand:

- A. Does not prohibit symmetrically; if you prohibit Port 0 from talking to Port 15 You must also explicitly prohibit Port 15 from talking to Port 0
- B. Causes the port to start transmitting the OLS primitive sequence
- C. Is VSAN-specific
- D. Can be applied to the CUP
- E. Cannot be applied to a FCIP interface

Answer: C, E

QUESTION 174:

What is the maximum number of FICON VSANs that can be configured on a 9509 switch?

- A. 64
- B. 8
- C. 1
- D. Limited only by the maximum number of VSANs configurable in the switch

Answer: B

QUESTION 175:

What will happen to logged information if a MDS 9216 reboots?

- A. No log data is stored on the MDS switch across reboots
- B. Logs are stored to Non Volatile RAM and can be retrieved after reboot
- C. Logs are sent to Fabric Manager before MDS switch goes down and can be retrieved there
- D. Logs are written to flash and can be FTPed after reboot
- E. Call Home function will save logs and send them after Switch comes up

Answer: B

QUESTION 176:

FC1/1 is a member of VSAN 1. After the command "no VSAN 1" is entered, FC1/1 will be a member of what VSAN?

- A. VSAN 4094
- B. VSAN 1
- C. VSAN 4095
- D. VSAN 4093
- E. SAN 0

Answer: B

QUESTION 177:

With FC-SP, when an "Initiator" sends a "AUTH Negotiate" the "Responder" replies with?

- A. DHCHAP Success
- B. DHCHAP Negotiate
- C. AUTH Negotiate

- D. DHCP Challenge
- E. AUTH Access Request

Answer: D

QUESTION 178:

MDS authentication method configuration:

```
tacacs+ enable tacacs-server host 10.1.1.1
aaa authentication login default group tgroup
aaa group server tacacs+ tgroup
server10.1.1.1
```

User "admin" is configured on the tacacs+ server with password "admin123", and MDS is configured with CLI user "admin" and password "admin" locally - both as group "network-admin".

What happens when the user logs into MDS with the username "admin" password "admin"?

- A. Authentication failed with tacacs+ server, but granted access with role "network-operator"
- B. Authentication failed with tacacs+ server, access denied
- C. Authentication succeed with local database, granted with role "network-admin"
- D. Authentication succeed with local database, granted with role "network-operator"
- E. None above

Answer: B

QUESTION 179:

```
Src-Id Dst-Id Ox-Id
0x010001 0x01ae12 1
0x010001 0x01ae13 2
0x010002 0x0cae12 1
0x010002 0x0cae13 2
0x0c0003 0x0cab12 1
0x0c0003 0x0cab12 2
```

The flows above are active within a 2 switch fabric. There are 61SLs in a Port Channel between the two switches.

What is the maximum number of links used by source-destination based and source-destination-exchange based load balancing, respectively?

- 6 for source-destination, 6 for source-destination-exchange
- 5 for source-destination, 6 for source-destination-exchange
- 3 for source-destination, 2 for source-destination-exchange
- 2 for source-destination, 2 for source-destination-exchange
- 1 for source-destination, 2 for source-destination-exchange

Answer: D

QUESTION 180:

What statement is NOT correct for FCIP compression?

- A. FCIP compression uses LZS compression algorithm
- B. FCIP compression is dependent on the type of data compressed
- C. By default FCIP compression is disabled
- D. High-throughput and high-comp-ratio mode may be configured simultaneously
- E. FCIP compression has to be configured under FCIP interface

Answer: D

QUESTION 181:

FC protocol is a layered protocol consisting of several layers Identify these layers in proper order of FC-O to FC-4:

- A. Media Layer, Encode/Decode Layer, Framing & Control Layer, Common Services Layer, Upper Level Protocol Layer
- B. Encode/Decode Layer, Media Layer, Framing & Control Layer, Common Services Layer, Upper Level Protocol Layer
- C. Framing & Control Layer, Encode/Decode Layer, Media Layer, Common Services Layer, Upper Level Protocol Layer
- D. Upper Level Protocol Layer, Common Services Layer, Framing & Control Layer, Encode/Decode Layer, Media Layer
- E. Media Layer, Framing & Control Layer, Encode/Decode Layer, Common Services Layer, Upper Level Protocol Layer

Answer: A

QUESTION 182:

In a long distance link of 100 KM, which is true of the desired number of BB credits?

- A. More BB credits would cause excessive delay in handling the larger number of packets
- B. The fewer the BB credits there are, the less likely we are to have a packet lost in the network
- C. With fewer BB credits, the transmission pipe will not be full and this will lead to other applications getting bandwidth should they need it
- D. The Fe standard defines the number of credits on a long distance link
- E. None of the above answers are correct

Answer: E

QUESTION 183:

What primitive is used on an arbitrated loop when a device is attempting to connect?

- A. NOS
- B. ARB
- C. LIP
- D. IDLE
- E. Online

Answer: C

QUESTION 184:

The IPS iSCSI gateway has two forwarding modes An advantage of using "pass-thru" mode is?

- A. IPS converts and forwards full iSCSI PDU to the Target
- B. IPS creates only one initiator to reduce configuration
- C. IPS converts and forwards one frame at a time which keeps latency low
- D. IPS uses fixed MSS for constant payload to reduce latency

Answer: C

QUESTION 185:

What statement is true?

- A. Class of Service 3 frames require an ACK1 response
- B. R_RDY is the correct way to acknowledge a Class of Service 1 frame
- C. Class of Service 2 frames are acknowledged by an ACK response
- D. Class of Service 1 frames are acknowledged only when requested by the sender
- E. Class of Service 1 and 2 reserve 100% of the available bandwidth

Answer: D

QUESTION 186:

On a 9506, FICON has been enabled on VSAN 2 using a Domain id of 0x05. All of the fibre channel ports in the switch have been placed in this VSAN.

The switch is using the default value for fcid-last-byte. The following command is issued on the switch:

ficon swap portnumber 10 11

What FCID will be used to access the storage connected to interface fc 1/11?

- A. 0x050a00
- B. 0x050b00
- C. 0x051000
- D. 0x051100
- E. 0x0510ff
- F. 0x050900

Answer: F

QUESTION 187:

A vty terminal type can be changed to vt100 by what method or command?

- A. From EXEC level enter "terminal terminal-type vt100"
- B. From configuration mode enter "terminal vty 0-4 type vt100"
- C. From configuration mode enter "line 0-4 type vt100"
- D. From EXEC level enter "line mode terminal-type vt100"
- E. None _ the vty terminal type cannot be changed

Answer: A

QUESTION 188:

A TL port is needed to accomplish what?

- A. Create a trunk loop between 2 ports
- B. Permit larger frames to be sent on that port
- C. Let public devices be visible to the fabric
- D. Let public devices remain invisible to the fabric
- E. Let private devices be visible to the fabric

Answer: E

QUESTION 189:

A switch boot failure can be caused by a corrupted image or corrupted bootflash file system.

In the event of a corrupted bootflash filesystem which steps could be used to access BIOS so the system could be booted via TFTP?

- A. Interrupt the boot sequence by pressing "ctrl]" or ESC to enter BIOS setup
- B. Interrupt the boot sequence by pressing "ctrl X" to enter BIOS setup
- C. Interrupt the boot sequence by pressing "ctrl " to enter BIOS setup

- D. Interrupt the boot sequence by pressing "ctrl " to access switch(boot)# prompt
- E. Supervisor cannot recover from corrupted bootflash The card must be replaced

Answer: C

QUESTION 190:

A reason for persistent binding to be enabled on an HBA is to provide what benefit?

- A. To prevent other hosts from accessing a specific target
- B. To configure a user specified PWWN to the HBA
- C. To assign the same SCSI target 10 to a storage device's PWWN
- D. To allocate the same FCID to a fibre channel device
- E. To allocate the same domain ID to a switch in a VSAN

Answer: C

QUESTION 191:

Identify the Physical Variant Identifier that correctly describes the following physical interface: longwave laser (1 300nm), long-distance, double-speed, single-mode fiber.

- A. 200BaseLX-FC
- B. IEEE8021x
- C. 200-LW-SM-L
- D. 200-SM-LL-L
- E. LW-L-200-SM

Answer: D

QUESTION 192:

You are asked to design a full-mesh core solution using the following equipment:

3 x 9509, fully loaded with 32 port FC modules (D8-X9032)

3 x 9506, fully loaded with 32 port FC modules (D8-X9032)

The solution requires 4 Gb/s of bandwidth for the ISLs between switches.

What is the number of available physical ports for fibre channel host and storage connectivity within the physical fabric?

- A. 708
- B. 816
- C. 996
- D. 1104
- E. 1200

Answer: B

QUESTION 193:

Which are the functions of the principal switch? (Choose two)

- A. To assign Domain IDs
- B. To act as the root in the determination of the Principal Path
- C. To determine if a new switch can join the fabric
- D. To determine all FSPF paths
- E. To detect zone Merge Failures

Answer: A, B

QUESTION 194:

What feature or command does not need to be enabled or performed on every switch implementing RSPAN?

- A. Trunk protocol enable
- B. interface vsan
- C. fc-tunnel enable
- D. ip routing
- E. switchport mode 3T

Answer: E

QUESTION 195:

Lun masking is a means by which Luns :

- A. May be concatenated on a host
- B. May be concatenated on an array
- C. May be bound on a host
- D. Are only presented to a pre-defined initiator
- E. Is presented read-only

Answer: D

QUESTION 196:

What implementation would allow the switch to provide an end device with the same Fibre Channel Identifier across reboots of the MDS?

- A. Static Domains

- B. Permanent Identifier
- C. Persistent Target Binding
- D. Persistent FCIDs
- E. Static FCIDs

Answer: D

QUESTION 197:

Assume you have a class 3 connection A switch port interface has 12 buffer credits. If a host with 24 buffer credits logs into this port, how many buffer credits will be made available to this host to transmit to other Fibre channel devices logged into the same Fibre channel switch?

- A. This is negotiated at FLOGI and depends on how many other devices this host is connecting to
- B. 12 credits will be set
- C. 24 credits will be set
- D. Not known - The host must first PLOGI to other Fibre Channel devices
- E. 3 credits will be set

Answer: B

QUESTION 198:

What is the function of the Link Reset Protocol within the Link Control Facility?

- A. It is part of the LIP process
- B. It is used only for Class 1 connection removal
- C. It is used to arbitrate on a loop to recover from loss of sync
- D. It follows a Link Failure and controls NOS and LOS substates
- E. It follows a link timeout or connection error and controls LR and LRR substates

Answer: E

QUESTION 199:

What statement regarding LUN zoning is accurate?

- A. LUN zoning is a standards based feature that can be used to connect to another switch while in interop mode
- B. The MDS LUN zoning feature cannot be used when the LUN masking feature is used on a storage subsystem
- C. When LUN 0 is not included within a zone, control traffic to LUN 0 (for example, REPORT_LUNS, INQUIRY) is still supported
- D. When LUN 0 is not included within a zone, data traffic to LUN 0 (for example,

READ, WRITE) is still supported
E. None of the above

Answer: C

QUESTION 200:

You are looking at a trace for FLOGI frame.
What would the value of the R_CTL Field be in the Frame header knowing that a FLOGI frame is an Extended Link service request.

- A. 0x22
- B. 0x23
- C. 0x02
- D. 0x03
- E. 0x12

Answer: A

QUESTION 201:

What Fibre Channel header field indicates the frame is a Link Control frame?

- A. R_CTL
- B. CS_CTL
- C. TYPE
- D. F_CTL
- E. DF_CTL

Answer: A

QUESTION 202:

What answer has the correct order of steps to configure QoS for Data Traffic?

- A. Enable the QoS feature, create and define class maps, adjust DWRR weights if necessary, apply configuration, create a policy map
- B. Enable the FCC feature, create and define class maps, create a policy map, apply the configuration, adjust DWRR weights if necessary
- C. Enable the QoS feature, create a policy map, create and define class maps, apply the configuration, Adjust DWRR weights if necessary
- D. Enable the FCC feature, create a policy map, create and define class maps, apply the configuration, Adjust DWRR weights if necessary
- E. Enable the QoS feature, create and define class maps, create a policy map, apply the configuration, adjust DWRR weights if necessary

Answer: E

QUESTION 203:

"SCSI LUN discovery" is triggered automatically when :

- A. An IPS module is installed in an MDS switch
- B. A CSM module is installed in an MDS switch
- C. An ASM module is installed in an MDS switch
- D. 16 port FC Line card installed in an MDS switch
- E. The switch has dual supervisors

Answer: A, B, C

QUESTION 204:

You are connecting 2 independent and existing switches.

Switch one has a domain ID of 1, Switch 2 has a domain ID of 2.

An ISL is connected between the 2 switches Both switches support FSPF routing protocol During ISL initialization only ELP and ESC were exchanged before one of the switches crashed. What has NOT been exchanged?

- A. WWN of the 2 switches
- B. Type of routing protocol that the switches support
- C. Trunking configuration of the ISL port
- D. Principal switch priority of the switches
- E. Flow control parameters for the 2 E_ports

Answer: D

QUESTION 205:

Exhibit:

The screenshot shows the 'FC Interface Monitor' window for interface fc1/4. The 'Class F' traffic is highlighted in the table below.

Interface	Class 3				Class F			
	Rx Bytes	Rx Frames	Tx Bytes	Tx Frames	Rx Bytes	Rx Frames	Tx Bytes	Tx Frames
fc1/3	0	0	0	0	62	0	117	1
fc1/4	0	0	0	0	29	0	20	0

In the exhibit what additional steps are needed to create a graphical representation of only "Class F" traffic on interface fc 1 /4?

- A. Using the mouse, highlight required fields then select the type of graph
- B. Change the monitor interval to auto, highlight required fields, then select the type of graph
- C. On the monitor window, highlight interface fc1/3 and press delete; then under the protocol tab select "Filter" for "Class F", and select the type of graph
- D. None, because all fields displayed in the FC Interface Monitor will be graphed
- E. None, because Class "F" traffic cannot be displayed in graph form for an ISL

Answer: A

QUESTION 206:

What statement is correct for licensing?

- A. The grace period is set to 100 days from the first occurrence of using any licensed feature without a license in SAN-OS 1.2
- B. The grace period is set to 120 days from the first occurrence of using any licensed feature without a license in SAN-OS 13(4a)

- C. Grace period is removed in SAN-OS 13(4a)
- D. There is no grace period for counted licenses
- E. The grace period is set to 60 days from the first occurrence of using any licensed feature without a license in SAN-OS 13(4a)

Answer: B

QUESTION 207:

Host ports belonging to a VSAN which is moved to a suspended state will be:

- A. Transferred to the Isolated VSAN
- B. Transferred to the Default VSAN
- C. Transferred to VSAN4094
- D. Suspended
- E. Disabled

Answer: E

QUESTION 208:

Fabric Manager Server entitlement is required for which two features?

- A. Graphing FC interface statistics and opening Multiple Device Managers
- B. Call Home Events and Continuous MDS Health Monitoring
- C. Performance Manager and Multiple physical fabric management
- D. IP Access Control List and Centralized fabric discovery services
- E. FC Aliases and Interop-mode 3

Answer: C

QUESTION 209:

Select all of the primitive signals:

- A. R_RDY
- B. NOS
- C. PLOGI
- D. IDLE
- E. LIP

Answer: A, D

QUESTION 210:

What method is used to assign a PWWN to a dynamically assigned iSCSI initiator

in a MDS?

- A. Assigned by system
- B. Assigned by user in the configuration of the iSCSI Target
- C. Assigned by iSCSI host
- D. Created with iSCSI host name, iSCSI driver and Connection ID
- E. Assigned by Fibre Channel attached Storage System

Answer: A

QUESTION 211:

When attaching to the following switch vendor, a VC_Ready flow control may have to be disabled and B2B Flow control enabled:

- A. Brocade
- B. McData
- C. Qlogic
- D. Vixel
- E. InRange

Answer: A

QUESTION 212:

Host multipathing is best implemented with redundant:

- A. links in a port channel
- B. fspf paths between switches
- C. fabrics
- D. zones
- E. storage arrays

Answer: C

QUESTION 213:

In a DH-CHAP enabled port, what is required of a host before it can access the port?

- A. Host must be running RADIUS or T ACACS+ to support server authentication
- B. An Enterprise license must be loaded on each host to authorize fabric access
- C. Host must have a HBA installed that supports DH-CHAP protocol
- D. Dual HBA support must be configured to support security protocol
- E. Host must be connected to an interface in the VSAN range of 100-199

Answer: C

QUESTION 214:

When a port channel that is trunking a given VSAN is quiesced, frames are lost. What can be inferred about this VSAN?

- A. The VSAN is a FICON VSAN
- B. In-Order Delivery is enabled for the VSAN
- C. QoS is enabled for the VSAN
- D. Exchange-based load balancing is configured for the VSAN
- E. Flow-based load balancing is configured for the VSAN

Answer: B

QUESTION 215:

FICON-enabled hosts send a Query Security Attribute (QSA) extended link service command to the well known Fibre Channel Service address of :

- A. FF.FF.FA
- B. FF.FF.FD
- C. FF.FF.FC
- D. FF.FF.FE
- E. FF.FF.F7

Answer: B

QUESTION 216:

What ordered set is used to determine the Class of the frame?

- A. SOF
- B. COF
- C. SYN
- D. TYP
- E. LIP

Answer: A

QUESTION 217:

What statement is TRUE?

- A. A SPAN session can capture traffic originating from or destined for an end device,

while an MDS fcanalyzer can only capture traffic originating from, or destined for, the supervisor

B. An MDS fcanalyzer can capture traffic originating from, or destined for, an end device, while a SPAN can only capture traffic originating from, or destined for, the supervisor

C. SPAN cannot capture traffic destined for the supervisor; the MDS fcanalyzer must be used instead

D. SPAN can be used to determine why a port cannot auto negotiate to 2Gbps instead of 1Gbps

E. Only when an SD port detects that it is attached to a Cisco PAA (Port Analyzer Adapter) will it use Buffer to Buffer Flow Control

Answer: A

QUESTION 218:

How many FCIP connections can be supported on an IPS-8 blade with 2 ports for use in iSCSI?

A. 18 FCIP connections

B. 24 FCIP connections

C. 6 FCIP connections

D. 22 FCIP connections

E. 8 FCIP connections

Answer: B

QUESTION 219:

You currently have a Solaris host that is accessing a JBOD that is connected to the same switch. The Solaris host is logging I/O errors with writes to the JBOD. You want to find out the cause of the I/O errors by analyzing the traffic between the host and the JBOD. To do this you setup FCAnalyzer to run locally on the switch. However, when you setup FCAnalyzer to capture traffic you do not see any traffic between the host and the JBOD. What is a possible cause?

A. Only FCAnalyzer remote can capture traffic between 2 device ports

B. The source and/or destination of the FCAnalyzer traffic was not defined

C. The FCAnalyzer can only capture control traffic and not data traffic

D. The FCAnalyzer is not used for capturing traffic

Answer: C

QUESTION 220:

What type of ordered set is sent to indicate a condition or state exists in Fibre

Channel protocol?

- A. Arbitrate Signals
- B. K28.5
- C. Primitive Signals
- D. Primitive sequence
- E. Fill words

Answer: D

QUESTION 221:

By configuring Role Based Access Control (RBAC), which tasks are a MDS network-administrator able to perform?

- A. Apply access control to FCIP peer and iSCSI clients
- B. Customize the privileges of the login user
- C. Restrict a user's management capabilities to a specific VSAN
- D. Limit a user's access to the MDS from a specific IP subnet
- E. Limit LUN access to specific WWN's

Answer: B, C

QUESTION 222:

You have a storage array connected to interface fc1/5 that has LUN masking enabled. You want to be able to see all the LUNs configured behind this port using the MDS "discover scsi-target local os linux lun" command. What command will give you the PWWN you need to use to configure the storage array so that the "show scsi-target lun" command will display the LUNs?

- A. show wwn switch
- B. show interface fc1/5
- C. reshow scsi-target internal driver
- D. sho llogi database interface fc1/5
- E. show scsi-target pwwn

Answer: E

QUESTION 223:

Identify all the correct attributes of 8b/10b encoding scheme used by fibre channel

- A. It facilitates a sufficient number of one-to-zero transitions to enable clock recovery
- B. It maintains DC balance
- C. It detects all transmission errors

- D. Provides variable bit, byte and word rates
- E. It generates special characters beyond the eight-bit code space

Answer: A, B, E

QUESTION 224:

A customer needs SAN extension for a distance of 200 kilometers for a mission-critical application. Assuming the customer owns the dark fibers between the 2 locations, what technology can provide the best reliability, performance, and scalability?

- A. Single mode dark fiber with long wave GBIC/SFP
- B. FCIP over dedicated leased line
- C. DWDM with BLSR (bidirectional line switched ring)
- D. CWDM with failover protection by application

Answer: C

QUESTION 225:

The purpose of the IBM Control Unit Port (CUP) protocol is to:

- A. Define the method by which an IBM mainframe communicates to storage
- B. Provide in-band management of the switch by the mainframe
- C. Define storage peripheral devices to an IBM mainframe
- D. Allow switches from different vendors to connect and interoperate
- E. Provide redundancy between multiple mainframe sysplexes

Answer: B

QUESTION 226:

What is correct based upon the below display output?

```
MDS_switch#show ips stats tcp interface gigabitethernet 1/1 detail
TCP Statistics for port GigabitEthernet1/1
?.
TCP Active Connections
Local Address Rermote Address State Send-Q Recv-Q
10.23914.2053225 10.2391418965512 ESTABLISH 0 0
10.23914.2053225 10.2391418965514 ESTABLISH 668 0
10.23914.2053225 0.0.0.0 LISTEN 0 0
```

- A. Two iSCSI hosts are connected to this IPS
- B. This IPS is connected to two FCIP peers
- C. This IPS has only one rermote FCIP peer

- D. This IPS has one iSCSI session
- E. There are two IPFC sessions

Answer: C

QUESTION 227:

What configuration command enables all discovered storage to be available for iSCSI?

- A. iscsi virtual-target all
- B. iscsi target enable fc
- C. fc- target import iscsi
- D. enable fc targets dynamic
- E. iscsi import target fc

Answer: E

QUESTION 228:

Using Device Manager, how can zoning be enabled between Fibre Channel members in the same VSAN?

- A. Right-Click on any live ports and click on "devices" it will list all enabled devices
Select any devices and click on "Zones"
- B. Click on the menu toolbar "FC" -> "VSAN" -> "Zones" to create zones
- C. Click on the menu toolbar "Interface" -> "FC F/FL/TL" -> "Zones"
- D. Click on the menu toolbar "Admin" -> "Zones"
- E. Device Manager does not do Fibre Channel Zoning

Answer: E

QUESTION 229:

What iSCSI virtual target name was dynamically created over interface iscsi 1/1?

- A. iqn.1987-05.com.cisco:05.mds1-vsan5-01-01
- B. iqn.1987-05.com.cisco:05.mds1.01-01.21 00002037a7cb29
- C. iqn.mds1.01-01192.168.22.134
- D. iqn.mds1.01-01.2100002037a7cb29
- E. iqn.mds1-target01-iscsi1-1

Answer: B

QUESTION 230:

What is the main purpose for Loop Initialization Protocol?

- A. For indicating an open in the loop and to do a bypass
- B. Sent by fabric controller to determine if loop is attached
- C. To initialize a loop and send SCN
- D. To initialize a loop E To reset the loop by sending AP_PD

Answer: D

QUESTION 231:

Which scenarios require assigning FICON port numbers?

- A. Aggregating ISL bandwidth
- B. Utilizing multiple FSPF link costs for traffic engineering
- C. Cascading FICON over a Fibre Channel infrastructure
- D. Cascading FICON over an IP infrastructure
- E. Performing a reverse port swap

Answer: A, D

QUESTION 232:

Please view the output, below:

Port-channel 2 is trunking

Port description is To 172.22.36.8

Hardware is Fibre Channel

Port WWN is 24:02:00:0c:85:e9:d2:c0

Admin Port mode is E, trunk mode is on

Port mode is TE

Port vsan is 1

Speed is 4 Gbps

Trunk vsans (admin allowed and active) (1,2,3)

Trunk vsans (up) (1,2,3)

fc1/1 is trunking

Hardware is Fibre Channel, FCOT is short

Port WWN is 20:01:00:0c:85:e9:d2:c0

Peer Port WWN is 20:09:00:05:30:00:68:5e

Admin Port mode is E,

trunk mode is on

Trunk vsans (admin allowed and active) (4)

Trunk vsans (up) (4)

Two switches are connected by a 21ink port-channel (port-channel 2) and an EISL (fc1/1) command, "channel-group 2 force", what will happen to VSAN 4?

- A. VSAN 4 will get added to the trunking list for port-channel 2

- B. Nothing, the port-channel compatibility check prevents unlike links from joining a port-channel
- C. Nothing - a new port-channel will be created only having VSAN 4 allowed
- D. Port-channel 2 will have its allowed VSAN list changed to VSAN 4 only
- E. VSAN 4 will not be trunked

Answer: E

QUESTION 233:

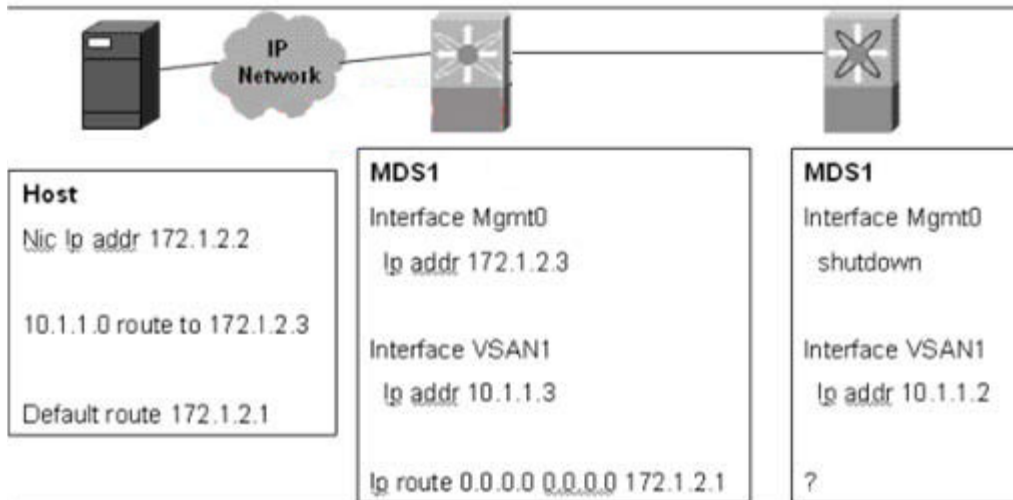
What is the correct order of events for an N-Port to establish a session with a fiber channel switch network?

- A. FLOGI, RSCN, PLOGI, PRLI
- B. SOF, FLOGI, PLOGI, PRLI, SCN
- C. LIP, FLOGI, PLOGI, GT_NXTI
- D. FLOGI, SCN, PLOGI, PRLI
- E. R-RDY, FLOGI ,PLOGI, RSCN, PRLI

Answer: D

QUESTION 234:

Exhibit:



A host is able to telnet to MDS2 Interface VSAN.
What is the default route for MDS2?

- A. MDS2 management port must be enabled for host to access
- B. ip route 0.0.0.0 0.0.0.0 172.1.2.1
- C. ip route 0.0.0.0 0.0.0.0 172.1.2.3
- D. ip route 0.0.0.0 0.0.0.0 10.1.1.3
- E. ip route 0.0.0.0 0.0.0.0 172.1.2.2

Answer: D

QUESTION 235:

What is the correct order (from lowest to highest) of the layers of the Fibre Channel protocol?

- 1 = Physical
- 2 = Mapping to ULP
- 3 = Common Services
- 4 = Signaling Protocol
- 5 = Encoding/decoding

- A. 1,5,4,3,2
- B. 1,4,5,3,2
- C. 1,4,5,2,3
- D. 1,3,4,5,2
- E. 1,5,2,3,4

Answer: A

QUESTION 236:

FCID 0x600000 is not a valid FCID in what interop mode?

- A. MDS Native Mode
- B. Interop Mode 1
- C. Interop Mode 2
- D. Interop Mode 3
- E. It is valid in all modes

Answer: B

QUESTION 237:

Select the true statements concerning the IP address subnetting requirements of gigabit Ethernet interfaces on the IPS-8 module:

- A. Interfaces gigabitethernet1/1 and gigabitethernet2/1 can be configured with IP addresses in the same subnet
- B. Interfaces gigabitethernet1/1 and gigabitethernet1/2 can not be configured with IP addresses in the same subnet
- C. Interfaces gigabitethernet1/1 and mgmt0 can not be configured with IP addresses in the same subnet
- D. Interfaces gigabitethernet1/1 10 and gigabitethernet2/1.12 can be configured with IP addresses in the same subnet

E. Interfaces gigabitethernet1/1.10 and gigabitethernet2/1.10 must be configured with IP addresses in the same subnet

Answer: C

QUESTION 238:

Exhibit:



one interface is in a degraded state because the trunk is not fully active.
What interface is in the degraded state?

- A. 1/1
- B. 1/4
- C. 1/5
- D. 2/15
- E. 2/2

Answer: C

QUESTION 239:

Which are characteristics of a Fibre Channel Class 2 connection?

350-040

- A. It provides a confirmation of delivery and uses B to B flow control
- B. It provides confirmation of delivery, notification of non-delivery and also uses E to E flow control
- C. It provides confirmation of delivery with guaranteed bandwidth but no notification of delivery
- D. It provides no confirmation of delivery but uses both B to B & E to E credits
- E. Same as Class 3 but also adds notification of non-delivered frames

Answer: A, B

QUESTION 240:

Which are required to be unique on a given MDS switch across multiple VSANs?

- A. Domain ID
- B. Port Membership
- C. VSAN name
- D. Allocated FCIDs
- E. Active Zoneset name

Answer: B, A

QUESTION 241:

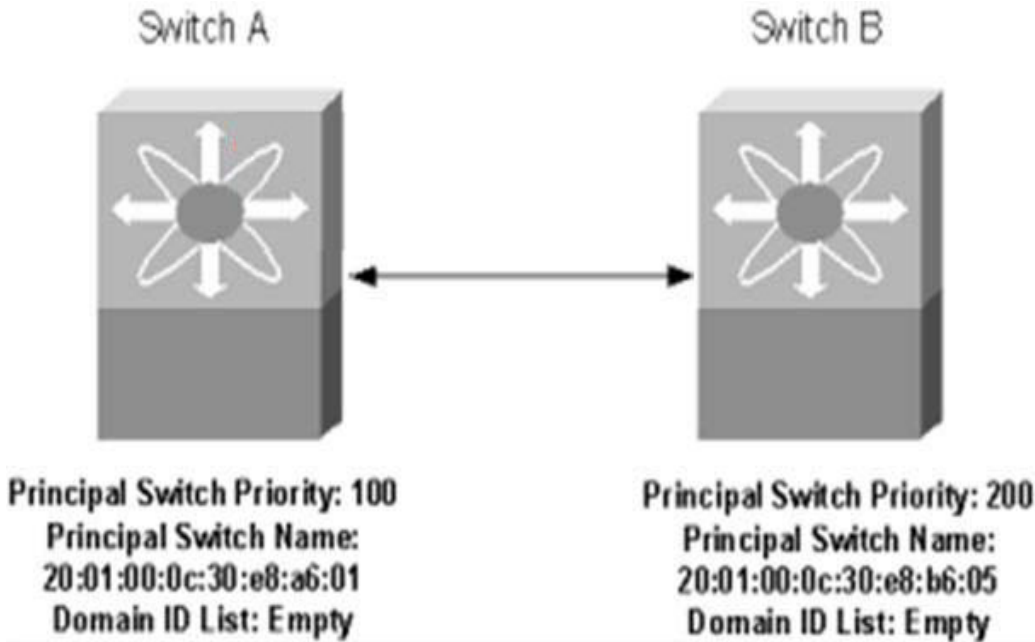
You currently have 1 host and 2 target devices grouped into the same zone. The zone is part of the active zoneset. When one of the target ports was removed from the switch, the host receives an RSCN from the switch while the remaining target port does not. What task did the host perform that the target port did not?

- A. The Host sent a SCR to the Fabric Controller
- B. The Host sent a SCR to the Name Server
- C. The Host sent a RSCN to the Fabric Controller
- D. The Hosts sent a RSCN to the Name Server
- E. The Host did not have to do anything to receive RSCN

Answer: A

QUESTION 242:

Exhibit:



Switch A is fabric merging with switch B. Identify what switch will become the principal switch?

- A. Switch A because its principal switch value is lower
- B. Switch B because its principal switch value is higher
- C. Switch A because its principal switch WWN is lower
- D. Switch B because its principal switch WWN is higher
- E. Not enough information is given

Answer: A

QUESTION 243:

Which prerequisites must be met for multiple cascaded FICON fabrics to exist between 2 MDS switches?

- A. In-order-delivery must be enabled on each fabric
- B. EISLs must be trunking each fabric
- C. Fabric binding must be enabled on each fabric
- D. A CUP device must be present on each fabric
- E. A port number must be assigned to at least one ISL carrying the FICON traffic

Answer: A, C

QUESTION 244:

A "system initialization" is used to perform what function on the MDS switch?

- A. Recover lost "admin" password

- B. Restart supervisor module after maintenance testing
- C. Format the bootflash and erases configuration files
- D. Prepare standby supervisor module for system upgrade
- E. Compress existing files and restart the bootflash file system

Answer: C

QUESTION 245:

You are connecting a new switch to an existing two switch Fabric with domain IDs of 1 and 2. The new switch has a domain ID of 1. The principal switch of the existing fabric has a principal switch priority of 10 and is Domain 1. The new switch has a principal switch priority of 1 configured and has the lowest switch WWN of all 3 switches.

What switch will be the principal switch after the new switch is added?

- A. The new switch
- B. Merged fabric will have two principal switches
- C. The switch with a domain of 1 in existing Fabric
- D. The switch with a domain of 2 in existing Fabric
- E. The new switch will not merge due to overlapping domain ID

Answer: C

QUESTION 246:

Exhibit:



Requirements:

Non-disruptive upgrades must be supported at each site

What module combination per site will fulfill the requirements for this solution?
(Note Non-disruptive upgrades must be fully supported at each site.)

- A. 3 x 16 port module
2 x IPS-8 module
- B. 1 x 16 port module
1 x 32 port module
1 x IPS-8 module
- C. 1 x 16 port module
1 x 32 port module
2 x IPS-8 module
- D. 3 x 16 port module
1 x IPS-8 module
- E. 2 x 32 port module
2 x IPS-8 module

Answer: C

QUESTION 247:

FICON-enabled nodes send a Fabric Login (FLOGI) extended link service command to the well known Fibre Channel Service address of

- A. FF.FF.FA
- B. FF.FF.FD
- C. FF.FF.FC
- D. FF FF FE
- E. None of the above; fabric login only occurs with Open System nodes

Answer: D

QUESTION 248:

What is FALSE about traffic shaping implemented by the MDS 9000 FCIP TCP stack?

- A. It uses variable rate, per-flow shaping when sending data
- B. Traffic shaping is particularly useful in conjunction with compression because it paces the flow of compressed data on the wire reacting to different per-packet compression rates
- C. If the FCIP path has a Gigabit or more of dedicated bandwidth available, then shaping is not required
- D. Traffic shaping is always required, regardless of the bandwidth available on the FCIP path
- E. The shaper works by sending packets at a rate that is consumable by the downstream network, based on the configured minimum and maximum bandwidth parameters

Answer: D

QUESTION 249:

Before you can successfully enable the Call Home feature, which of the following must be true?

- A. snmp-server contact name defined
- B. callhome site-id defined
- C. Enterprise license installed
- D. callhome transport email smtp-server defined
- E. snmp-server location defined

Answer: A

QUESTION 250:

What method of load balancing is flow based?

- A. S_ID, D_ID
- B. D_ID, D_ID
- C. S_ID, D_ID, OX_ID
- D. MDS does not support flow based load balancing

Answer: A

QUESTION 251:

From the configuration below, what VSAN(s) would iSCSI host 10.1.1.8 appear?

```
iscsi interface vsan_membership
vsan database
vsan 200 interface iscsi3/1
iscsi initiator ip_address 10.1.1.8
vsan 100
vsan 101
interface iscsi3/1
switchport proxy_initiator nWWN 11 :11 :11 :11 :11 :11 :11 :00
pWWN 11 :11 :11 :11 :11 :11 :11 :11
no shutdown
```

- A. VSAN100,101,200
- B. VSAN 200
- C. VSAN100,101
- D. VSAN1
- E. VSAN200, 100

Answer: C

QUESTION 252:

Log messages are not showing up in fabric manager. What is the most likely the cause?

- A. Logging server is logging to file and not the Fabric Manager; must be one or the other
- B. Logging server is not set for the correct host
- C. Fabric manager does not have logging enabled
- D. Logging levels for the server are set to 0
- E. This is a licensed feature and license is not installed

Answer: B

QUESTION 253:

Which are requirements to configure FCIP on a MDS FC Switch?

- A. Active entitlement for SAN Extention Over IP
- B. FCIP feature enabled
- C. Fabric Manager and use of FCIP Tunnel Wizard
- D. Working WAN connection between both endpoints
- E. Proper bandwidth settings on the FCIP profile

Answer: A, B

QUESTION 254:

The purpose of the SW_ILS ELP frame is to:

- A. Begin principal switch selection
- B. Notify other switches they can now request domain IDs
- C. Notify other switches that a principal switch has been elected
- D. Exchange FSPF routing information
- E. None of the above

Answer: E

QUESTION 255:

Two switches are merging together. During principal switch selection, Switch A sends a frame indicating it has an empty domain ID list. Switch B sends a frame indicating that there are previously allocated domain IDs. Switch A has a lower priority value and a lower WWN. What should occur next?

- A. Switch A becomes principal switch and initiates a BF
- B. Switch A becomes the principal switch and initiates a RCF

- C. Switch A uses the values it received from Switch B for the currently elected principal switch
- D. Switch A isolates and remains a standalone switch
- E. Not enough information is given

Answer: C

QUESTION 256:

What command is used to create an interface in VSAN 1 that utilizes IPFC?

- A. interface ipfc1
- B. vsan interface 1
- C. interface vsan 1
- D. interface ipfc1 ip 10.0.0 .1 mask 255.255.2550
- E. interface ipfc vsan 1 ip 10.0.0.1 mask 255.255.2550

Answer: C

QUESTION 257:

What would best describe Class 2?

- A. Class 2 is a "reliable" datagram service, that uses end-to-end acknowledgments (ACK, BSY or RJT) for every data frame and that does not guarantee fixed latency or in order delivery.
- B. Class 2 is an "unreliable" datagram service, that uses end-to-end acknowledgments (ACK, BSY or RJT) for every data frame and that does not guarantee fixed latency or in order delivery
- C. Class 2 is a "reliable" datagram service, that uses hop-by-hop acknowledgments (ACK, BSY or RJT) for every data frame and that does not guarantee fixed latency or in order delivery
- D. Class 2 is a "reliable" datagram service that uses end-to-end acknowledgments (ACK, BSY or RJT) for every data frame and that guarantees fixed latency and in order delivery
- E. Class 2 is a "reliable" datagram service, that uses end-to-end acknowledgments (ACK, BSY or RJT) for every data frame and that does not guarantee fixed latency but guarantees in order delivery

Answer: A

QUESTION 258:

The trunking encapsulation used on Gigabit Ethernet sub interfaces on the Cisco MDS switches adhere to what standard?

- A. IEEE 802.3ae

- B. RFC 2625
- C. IEEE 802.1q
- D. IEEE 802.11
- E. RFC 3720

Answer: C

QUESTION 259:

"SCSI LUN discovery" is triggered automatically when:

- A. An IPS module is installed in an MDS switch
- B. A CSM module is installed in an MDS switch
- C. An ASM module is installed in an MDS switch
- D. A 16 port FC Line card installed in an MDS switch
- E. The switch has dual supervisors

Answer: A, B, C

QUESTION 260:

What zoning option is NOT allowed using iSCSI transparent mode?

- A. ip address
- B. pWWN (port world wide name)
- C. iqn (iSCSI qualified name)
- D. slot/port
- E. fcalias

Answer: D

QUESTION 261:

You are connecting 2 existing independent fabrics in VSAN 2. Fabric 1 has domains 100 and 101. Fabric 2 has domains 100 and 101. All of the switches have the below interface configuration for all ports used for ISLs. Fabric 1 has an active zoneset in VSAN 2 with one zone containing hosts Alpha, Charlie and Delta and storage devices EMC1 and Hitachi 1. Fabric 2 has no active zoneset. Why did the fabrics fail to merge?

```
MDS9506-B1#  
interface fcX/Y  
fcdomain rcf-reject vsan 2  
switchport mode E
```

- A. Fabric 2 does not have an Active zoneset
- B. The domains on Fabric 1 and Fabric 2 overlap

[350-040](#)

- C. Create any active zoneset on Fabric 2 and they will merge
- D. The interfaces are not configured as trunk enabled
- E. The two fabrics should merge without an issue

Answer: B